

RIDGID

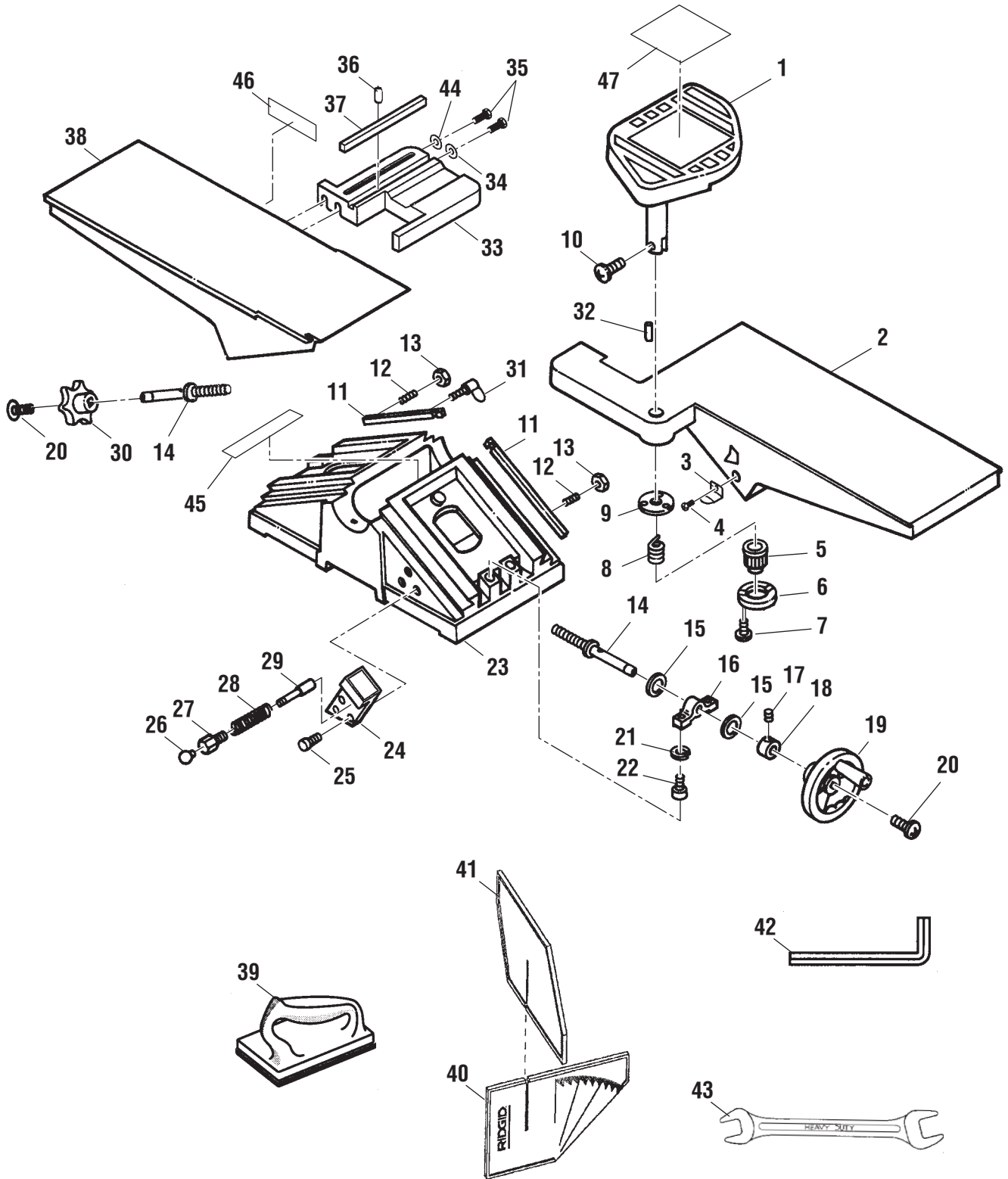
6-1/8 in. (156 mm)

JOINTER/PLANER

MODEL NO. JP06101

REPAIR SHEET

FIGURE A



RIDGID 6-1/8 in. (156 mm) JOINTER/PLANER – MODEL NUMBER JP06101

The model number will be found on a plate attached to the motor housing. Always mention the model number in all correspondence regarding your **JOINTER/PLANER** or when ordering repair parts.

PARTS LIST FOR FIGURE A

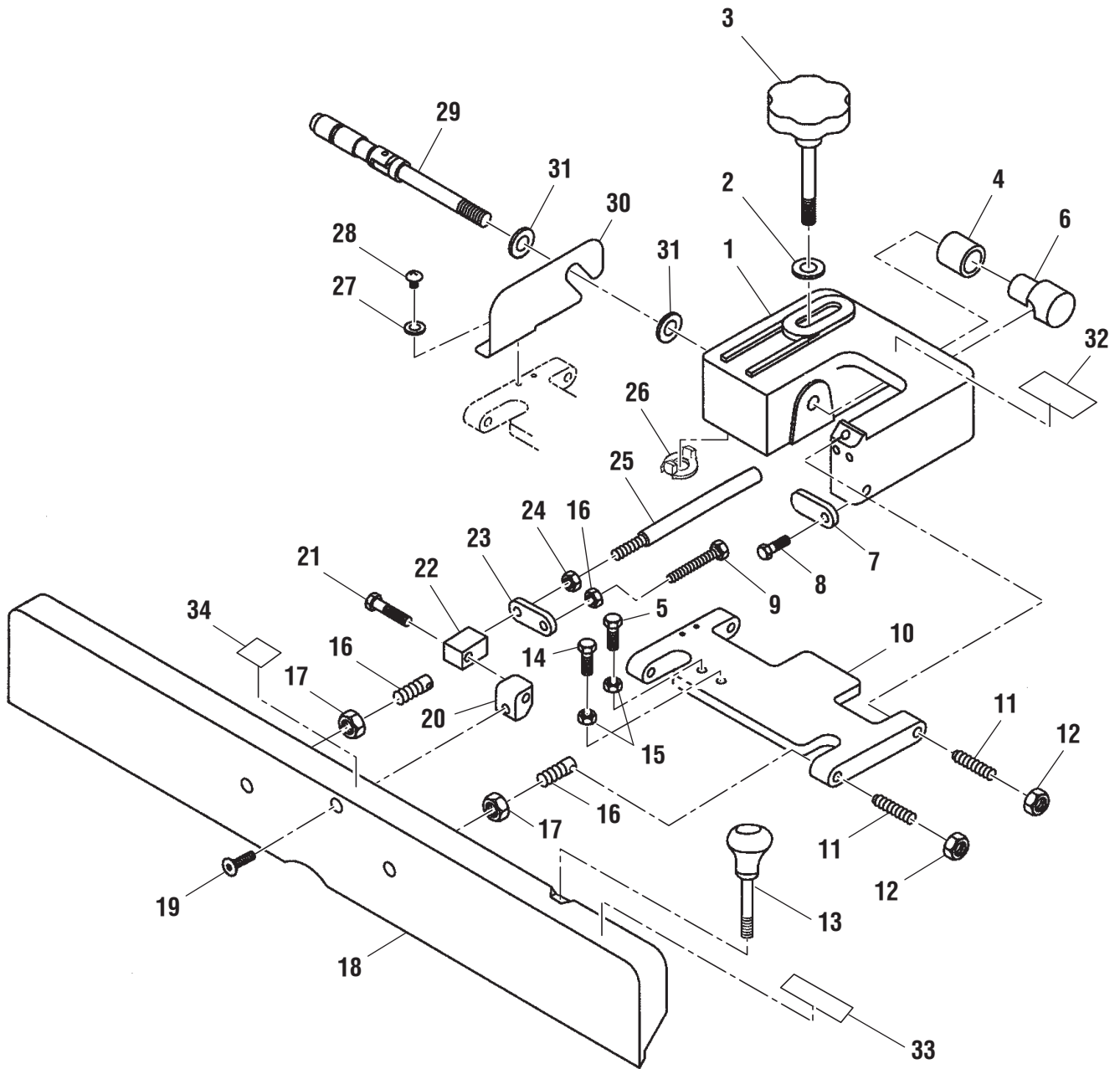
RIDGID parts are available on-line at www.ridgidparts.com

Key No.	Part Number	Description	Qty.
1	826655	CUTTER GUARD	1
2	824854-1	INFEED TABLE	1
3	828397	POINTER INDICATOR.....	1
4	822495	* SCREW (8-32 X 1/4 in. PAN HD.)	1
5	824867	KNOB.....	1
6	824866	KNOB RETAINER.....	1
7	822495-1	* SCREW (5-32 X 5/8 in. PAN HD.)	3
8	824868	SPRING	1
9	824865	RETAINER.....	1
10	816755-1	* SCREW (M5 X 0.8-10 mm PAN HD.).....	1
11	824856	GIB.....	2
12	160033-4	* SET SCREW (1/4-20 X 1 in.).....	6
13	805478	* HEX NUT (1/4-20).....	6
14	824859	ELEVATION SCREW	2
15	824860	WASHER (BRASS).....	2
16	824858	CLAMP	2
17	160033-1	* SET SCREW (1/4-20 X 3/8 in.).....	6
18	824861	COLLAR.....	2
19	826524	HANDWHEEL	1
20	828711	* SCREW (1/4-20 X 5/8 in. PAN HD.).....	1
21	818826-7	* LOCK WASHER (M8).....	4
22	141594-13	* SCREW (5/16-18 X 1-1/4 in. SOC CAP).....	4
23	824853-1	BASE	1
24	828649	DEPTH BLOCK ASSEMBLY	1
25	9421622	* SCREW (5/16-18 X 3/4 in. SOC CAP)	3
26	826529	PLUNGER KNOB.....	1
27	824873	PLUNGER HOUSING	1
28	824872	SPRING	1
29	824874	PLUNGER.....	1
30	826523	OUTFEED KNOB	1
31	824857	* WING SCREW (1/4-20 X 1 in.).....	2
32	813249-132	* SPRING PIN (5/30)	1
33	828531	FENCE SLIDE	1
34	824863	* WASHER (3/8 X 20 mm X 3 mm).....	1
35	141594-44	* SCREW (3/8-16 X 1/2 in. CAP).....	2
36	813249-106	* ROLL PIN (4 mm X 20 mm)	1
37	828523	KEY.....	1
38	824855-1	OUTFEED TABLE.....	1
39	AC8601	ACC-RIDGID JOINTER PUSH BLOCKS	2
40	828402	GAUGE ANGLE - PART A.....	1
41	828403	GAUGE ANGLE - PART B.....	1
42	813317-6	* HEX WRENCH (L 3mm).....	1
43	821202	WRENCH BOX (M8/M10)	1
44	820296-5	FLAT WASHER (10 mm)	1
45	JE080302	WARNING LABEL	1
46	JE1A5305	SERIAL NUMBER LABEL	1
47	JE1A5301	WARNING LABEL	1
48	JE1A5302	SCALE LABEL (NOT SHOWN)	1

* Standard Hardware Item – May Be Purchased Locally

† Stock Item - May be secured through the Hardware Department of most Home Depot Stores.

FIGURE B



RIDGID 6-1/8 in. (156 mm) JOINTER/PLANER – MODEL NUMBER JP06101

The model number will be found on a plate attached to the motor housing. Always mention the model number in all correspondence regarding your **JOINTER/PLANER** or when ordering repair parts.

PARTS LIST FOR FIGURE B

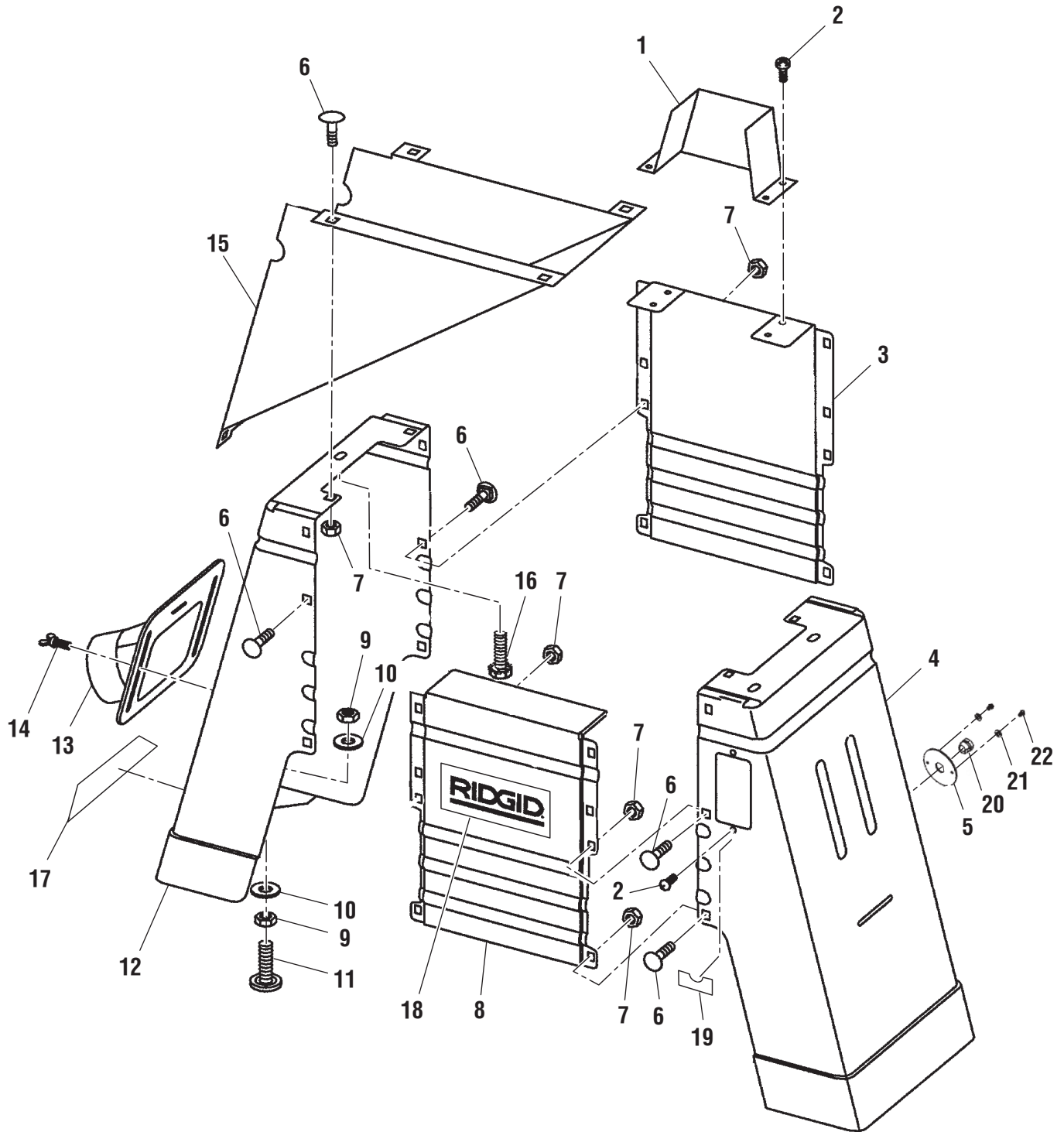
RIDGID parts are available on-line at www.ridgidparts.com

Key No.	Part Number	Description	Qty.
1	828689	FENCE HOLDER.....	1
2	805563-6	* WASHER (.515 X 1-1/8 X 3/32 in.).....	2
3	828400	FENCE KNOB.....	1
4	828517	FENCE SLEEVE.....	1
5	805467	* SCREW (5/16-18 X 1-1/4 in. HEX HD.).....	1
6	828518	TEE FENCE NUT	1
7	828524	STOP PLATE.....	1
8	828522	* SHOULDER BOLT (9 mm X 19 mm).....	1
9	805467-11	* SCREW (5/16-18 X 1-3/4 in. HEX HD.).....	1
10	829507	FENCE PIVOT PLATE	1
11	828516	PIVOT SCREW.....	4
12	118645	* HEX NUT (3/8-16 JAM).....	12
13	828712	FENCE TILT KNOB	1
14	805467-6	* SCREW (5/16-18 X 1 in. HEX HD.)	1
15	805482	* HEX NUT (5/16-18 JAM).....	3
16	828447	PIVOT STUD.....	2
17	813640	* HEX NUT (1/2-20 JAM).....	2
18	829506	FENCE.....	1
19	805297-8	* SCREW (5/16-18 X 1-1/2 in. FLAT HD.)	1
20	828520	HANDLE NUT	1
21	828525	* SHOULDER BOLT (10 X 6)	1
22	828521	PIVOT NUT	1
23	828519	FENCE STOP.....	1
24	805485	* HEX NUT (7/16-14 JAM).....	1
25	829508	LOCK SHAFT.....	1
26	828526	LOCK COLLAR.....	1
27	805551-2	* FLAT WASHER (1/4 in. X 1/2 in. X 1/16 in.)	2
28	809491-5	* SCREW (1/4-20 X 1/2 in. PAN HD.).....	2
29	828401	HANDLE ASSEMBLY.....	1
30	828529	FENCE BRACKET.....	1
31	805567-6	* WASHER (.63 X 1-3/4 X 5/32 in.).....	2
32	TH102106	DATA CODE LABEL	1
33	JE1A5309	INFEED LABEL	1
34	JE1A5310	ROTATION LABEL	1

* Standard Hardware Item – May Be Purchased Locally

† Stock Item - May be secured through the Hardware Department of most Home Depot Stores.

FIGURE C



RIDGID 6-1/8 in. (156 mm) JOINTER/PLANER – MODEL NUMBER JP06101

The model number will be found on a plate attached to the motor housing. Always mention the model number in all correspondence regarding your **JOINTER/PLANER** or when ordering repair parts.

PARTS LIST FOR FIGURE C

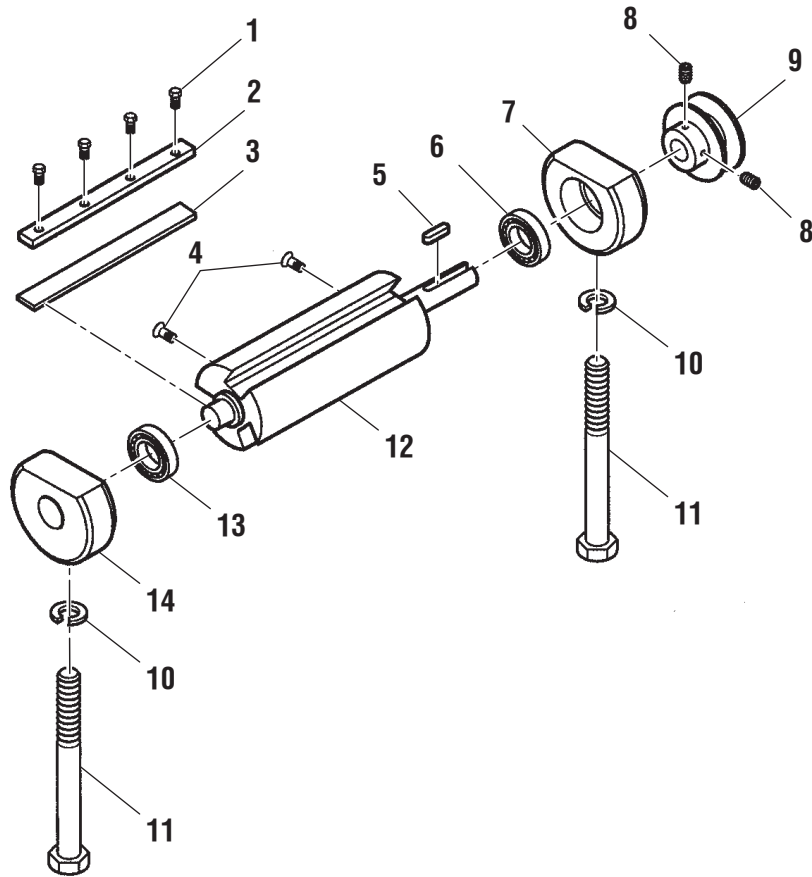
RIDGID parts are available on-line at www.ridgidparts.com

Key No.	Part Number	Description	Qty.
1	828577	PULLEY GUARD	1
2	826658	* SCREW (3/16-24 X 3/8 in. PAN HD.)	1
3	828563	REAR PANEL	1
4	828565	RIGHT PANEL ASSEMBLY	1
5	TH260021	PLATE	1
6	827642-1	* BOLT (5/16-18 X 1/2 in.)	18
7	826817-1	* HEX NUT (5/16-18 FLANGE)	18
8	828562	FRONT PANEL ASSEMBLY	1
9	118615	* HEX NUT (3/8-16)	12
10	820296-3	* WASHER (10 mm)	8
11	803835-3	LEVELING FOOT (3/8).....	4
12	828561	LEFT PANEL ASSEMBLY	1
13	828411	DUST GUIDE.....	1
14	826525	* WING SCREW (1/4-20 X 1/2 in.).....	2
15	828566	MOTOR BRACKET	1
16	828412	* SCREW (3/8-16 X 3/4 in. HEX)	3
17	JE1A5306	WARNING LABEL	1
18	JE1A5304	ID LABEL.....	1
19	JE1A5303	SWITCH LABEL	1
20	HN030900	STRAIN RELIEF	1
21	HE011200	FLAT WASHER (5.1 X 11.2 X 1.0T)	2
22	HB040903	SCREW (3/16-24 X 1/4 in. PAN HD.)	2

* Standard Hardware Item – May Be Purchased Locally

† Stock Item - May be secured through the Hardware Department of most Home Depot Stores.

FIGURE D



RIDGID 6-1/8 in. (156 mm) JOINTER/PLANER – MODEL NUMBER JP06101

The model number will be found on a plate attached to the motor housing. Always mention the model number in all correspondence regarding your **JOINTER/PLANER** or when ordering repair parts.

PARTS LIST FOR FIGURE D

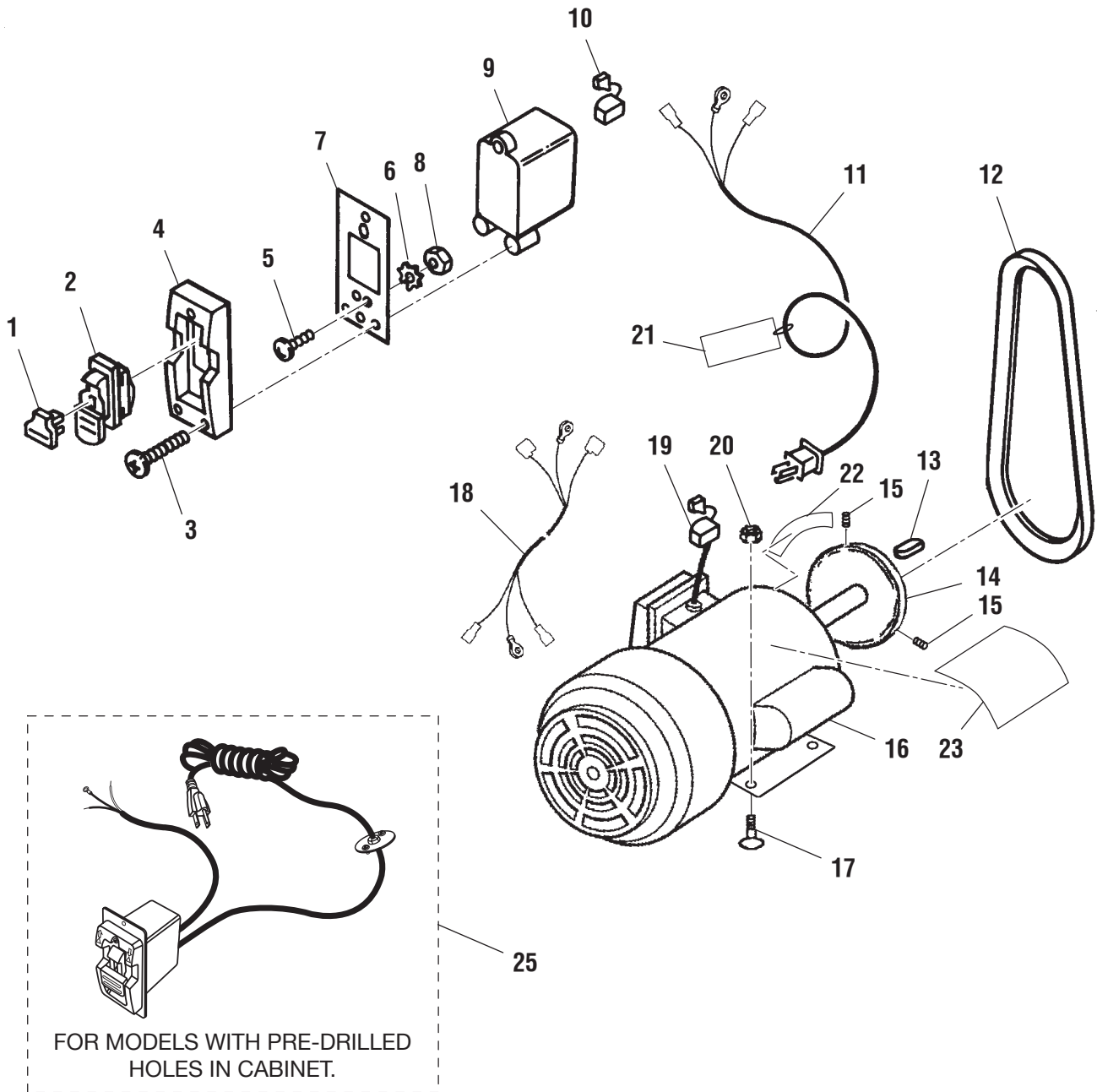
RIDGID parts are available on-line at www.ridgidparts.com

Key No.	Part Number	Description	Qty.
1	824886	* SCREW (1/4-28 X 7 mm).....	12
2	824885	BLADE LOCK WEDGE	3
3	JE080008	ACC-RIDGID REPLACEMENT KNIVES.....	3
4	821030	* SCREW (M5 X 0.8-12 mm FLAT HD. HEX)	6
5	818654-7	KEY.....	1
6	820722-5	* BALL BEARING (6203ZZ).....	1
7	824881-1	BEARING SUPPORT	1
8	160033-1	* SET SCREW (1/4-20 X 3/8 mm).....	6
9	824888	PULLEY	1
10	818826-8	* LOCK WASHER (M10).....	2
11	824890	* SCREW (3/8-24 X 3-1/2 mm HEX)	2
12	828399	CUTTER HEAD.....	1
13	820722-6	BEARING.....	1
14	824879-1	BEARING SUPPORT	1

* Standard Hardware Item – May Be Purchased Locally

† Stock Item - May be secured through the Hardware Department of most Home Depot Stores.

FIGURE E



RIDGID 6-1/8 in. (156 mm) JOINTER/PLANER – MODEL NUMBER JP06101

The model number will be found on a plate attached to the motor housing. Always mention the model number in all correspondence regarding your **JOINTER/PLANER** or when ordering repair parts.

PARTS LIST FOR FIGURE E

RIDGID parts are available on-line at www.ridgidparts.com

Key No.	Part Number	Description	Qty.
1	826122	SWITCH KEY (AC1000).....	1
2	826123	LOCKING SWITCH.....	1
3	817357-5	* SCREW (M4 X 1.6-18 mm).....	3
4	826395	SWITCH (BEZEL)	1
5	808275-4	* SCREW (8-32 X 3/8 in. PAN HD).....	2
6	138164	* LOCK WASHER (#8).....	2
7	826653	PLATE SWITCH (BEZEL)	1
8	805475	* HEX NUT (8-32).....	2
9	824914	SWITCH BOX	1
10	169123-15	STRAIN RELIEF (6P3-4)	2
11	824911-1	CORD W/PLUG.....	1
12	817393-7	BELT (V A-36)	1
13	818654-8	KEY.....	1
14	824931	PULLEY	1
15	160033-1	* SET SCREW (1/4-20 X 3/8 in.)	6
16	828530	MOTOR	1
17	827642-1	* BOLT (5/16-18 X 1/2 in.).....	4
18	824915-1	MOTOR CORD	1
19	69164	STRAIN RELIEF	1
20	826817-1	* HEX NUT (5/16-18 FLANGE).....	4
21	JE1A5311	VOLTAGE LABEL.....	1
22	JE0A0E02	DIRECTION LABEL	1
23	JE0A1901	MOTOR LABEL	1
24	JE2603	HARDWARE PACK (NOT SHOWN).....	1
25	JEG6	SWITCH ASSEMBLY W/CORDS AND PLATE.....	1
	983000393	OPERATOR'S MANUAL	
	983000393R	REPAIR SHEET (REV:02)	
	01-06-06		

* Standard Hardware Item – May Be Purchased Locally

† Stock Item - May be secured through the Hardware Department of most Home Depot Stores.