



Assembly & Instruction Manual

ITEM 4229

VENDOR: B | SERIES: 1



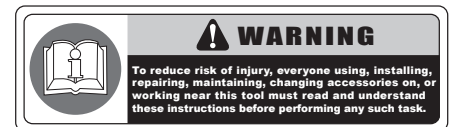
1,000 WATT HALOGEN WORK LIGHT

THANK YOU FOR BUYING CUMMINS INDUSTRIAL TOOLS
You can purchase additional items at
www.cumminstools.com

SAVE THIS MANUAL FOR FUTURE REFERENCE



Customer Service Postal Address:
1290 35 Road
Minden, NE 68959
Voice: 1-(308) 832-2070
Fax: 1-(308) 832-2069



Your new 1,000 WATT HALOGEN WORK LIGHT has been engineered and manufactured to Cummins Industrial Tools high standards for dependability, ease of operation, and operator safety. Pay close attention to the Rules for Safe Operation, Warnings, and Cautions. If you use your machine properly and only for what it is intended, you will enjoy years of safe, reliable service.

TABLE OF CONTENTS

■ Introduction	1
■ General Safety Rules	2
■ Specific Safety Rules	3
■ Product Specifications	3
■ Unpacking	3
■ Assembly	4-5

INTRODUCTION

- THIS PRODUCT has many features which make it's use more pleasant and enjoyable. Safety, performance, and dependability have been given top priority in the design of this product making it easy to maintain and operate.

▲ WARNING: Do not attempt to use this product until you thoroughly read and completely understand the operator's manual. Pay close attention to the safety rules, including Dangers, Warnings, and Cautions. If you use your product properly and only as intended, you will enjoy years of safe, reliable service.

- ▲ !** Look for this symbol to point out important safety precautions. It means attention!!! Your safety is involved.



▲ WARNING: The operation of any tool can result in foreign objects being thrown into your eyes, which can result in severe eye damage. Before beginning operation, always wear safety goggles or safety glasses with side shields and a full face shield when needed. We recommend Wide Vision Safety Mask for use over eyeglasses or standard safety glasses with side shields. Always wear eye protection which is marked to comply with ANSI Z87.1.

GENERAL SAFETY RULES

⚠ WARNING: When using tool, basic safety precautions should always be followed to reduce the risk of personal injury and damage to equipment. Read all instructions before using the tool!

- **Work area conditions.** Cluttered areas invite injuries.
- **Additional work area conditions.** Do not use machines or power tools in damp or wet locations. Do not expose to rain. Keep work area well lighted.
- **Keep children away.** Children must never be allowed in the work area. Do not let them handle machines, tools or extension cords.
- **Store idle equipment.** When not in use, tools must be stored in a dry location to inhibit rust. Always lock up tools and keep out of reach of children.
- **Use the right tool for the job.** Do not attempt to force a small tool or attachment to do the work of a larger industrial tool. There are certain applications for which this tool was designed. It will do the job better and more safely at the rate for which it was intended. Do not modify this tool and do not use this tool for a purpose for which it was not intended.
- **Dress properly.** Do not wear loose clothing or jewelry as they can be caught in moving parts. Protective, electrically non-conductive clothes and non-skid footwear are recommended when working. Wear restrictive hair covering to contain long hair.
- **Use eye protection.** Always wear ANSI approved impact safety glasses underneath a full face shield during use. Also, wear heavy duty work gloves.
- **Do not overreach.** Keep proper footing and balance at all times. Do not reach over or across running machines.
- **Maintain tools with care.** Keep tools sharp and clean for better and safer performance. Follow instructions for lubricating and changing accessories. The handles must be kept clean, dry, and free from oil and grease at all times.
- **Remove adjusting keys and wrenches.** Check that keys and adjusting wrenches are removed from the tool or machine work surface before starting work.
- **Stay alert.** Watch what you are doing, use common sense. Do not operate any tool when you are tired.
- **Check for damaged parts.** Before using any tool, any part that appears damaged should be carefully checked to determine that it will operate properly and perform its intended function. Any part that is damaged should be replaced.
- **Replacement parts and accessories.** When servicing, use only identical replacement parts. Use of any other parts will void the warranty. Only use accessories intended for use with this tool. Approved accessories are available from Cummins Industrial Tools.
- **Do not operate tools if under the influence of alcohol or drugs.** Read warning labels on prescriptions to determine if your judgment or reflexes are impaired while taking drugs. If there is any doubt, do not operate the tool.

⚠ WARNING: The warnings, cautions, and instructions discussed in this instruction manual cannot cover all possible conditions and situations that may occur. It must be understood by the operator that common sense and caution are factors which cannot be built into this product, but must be supplied by the operator.

SPECIFIC SAFETY RULES

- 1- This fixture is safe when used in a careful manner.
- 2- Fixture heads become extremely hot and should not be in contact within 18 seconds after its use with combustible material such as paper, cardboard, wood or fabric to avoid starting a fire.
- 3- Do not use this fixture near combustible materials such as gasoline to avoid explosion. Always unplug the fixture before doing any work or when changing the bulb.
- 4- In the event that the fixture needs to be moved to another location or to change bulb, sufficient time should be given to cool down the lights.
- 5- Never point the fixture directly to the eyes.
- 6- Do not touch the halogen bulb when installing it in the fixture as oil from your skin will shorten the bulb life significantly. It is best to use a clean cloth to install the bulb.
- 7- Never touch the fixture when power is on because the surface is hot and can cause severe burn.

PRODUCT SPECIFICATIONS

- Adjustable stand directs light where you need it
- Die cast aluminum housing
- Includes two 500 Watt halogen light bulbs (Replacement Light Bulbs 4231)

UNPACKING

INSTRUCTIONS

When unpacking the tool:

- Carefully remove the tool and accessories from the box.
- Make sure that all items listed in the packing list are included.
- Inspect the tool carefully to make sure no breakage or damage occurred during shipping.
- Do not discard the packing material until you have carefully inspected and satisfactorily operated the tool.

⚠ WARNING: If any part is missing do not operate the tool until the missing parts are replaced. Failure to do so could result in possible serious personal injury.

ASSEMBLY

Twin Head

- 1- Unpack fixture and place all parts on a smooth surface.
- 2- Mount each of the 2 fixtures to the cross bar in Figure 1.
 - A: Put the washer between the U bracket of the fixture and the bar to allow the fixture to turn without scratching the bar as shown in Figure 1.
 - B: Be sure not to over tighten the adjusting knob.
 - C: Both fixtures should be mounted in the same manner.

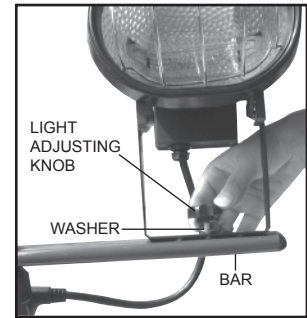


Figure 1

- 3- Mount the fixture assembly bar to the top of the telescope pole by putting one washer on top of the bar then tighten the center knob as shown in Figure 2. Be sure not to over tighten the center knob.

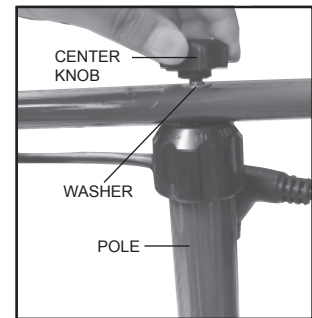


Figure 2

- 4- The tripod legs are adjustable up or down by loosening the knob as shown in Figure 3. Do not adjust the legs by force.

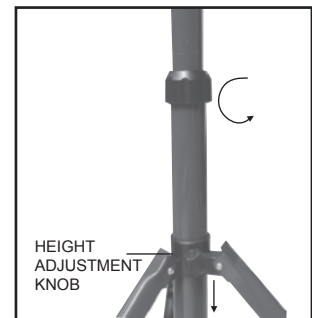


Figure 3

- 5- Adjust the telescope pole to desired height by loosening and tightening lock nuts at the top of each extension as shown in figure 4.
- 6- The fixture is now ready for use.

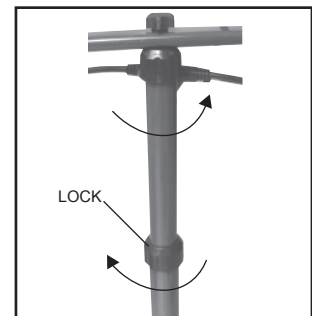


Figure 4

ASSEMBLY

Bulb Installation

- 1- Use Max. 500W Halogen bulb.
- 2- Disconnect power and allow bulb to cool prior to installation.
- 3- Use screwdriver to release the frame and remove the old bulb. Push gently toward the right side of the socket until the left side is clear from socket and can be removed by moving forward.
- 4- To install bulb, only use clean gloves or cloth. Fit the bulb into the right side of socket then allow the left end to be inserted into the left hand side of socket.
- 5- Never turn power on with hinge door open.

