



# Assembly & Instruction Manual **ITEM 4201**



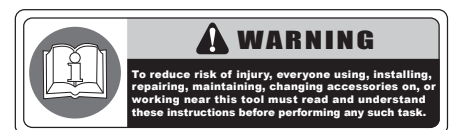
## **50W Work Light**

THANK YOU FOR BUYING CUMMINS INDUSTRIAL TOOLS  
You can purchase additional items at  
[www.cumminstools.com](http://www.cumminstools.com)

**SAVE THIS MANUAL FOR FUTURE REFERENCE**



Customer Service Postal Address:  
1290 35 Road  
Minden, NE 68959  
Voice: 1-(308) 832-2070  
Fax: 1-(308) 832-2069



**WARNING**  
To reduce risk of injury, everyone using, installing, repairing, maintaining, changing accessories on, or working near this tool must read and understand these instructions before performing any such task.

Your new 50W Work Light has been engineered and manufactured to Cummins Industrial Tools high standards for dependability, ease of operation, and operator safety. Pay close attention to the Rules for Safe Operation, Warnings, and Cautions. If you use your machine properly and only for what it is intended, you will enjoy years of safe, reliable service.

# SAFETY WARNINGS AND PRECAUTIONS

**WARNING:** When using tool, basic safety precautions should always be followed to reduce the risk of personal injury and damage to equipment. Read all instructions before using the tool!

- **Work area conditions.** Cluttered areas invite injuries.
- **Additional work area conditions.** Do not use machines or power tools in damp or wet locations. Do not expose to rain. Keep work area well lighted.
- **Keep children away.** Children must never be allowed in the work area. Do not let them handle machines, tools or extension cords.
- **Store idle equipment.** When not in use, tools must be stored in a dry location to inhibit rust. Always lock up tools and keep out of reach of children.
- **Use the right tool for the job.** Do not attempt to force a small tool or attachment to do the work of a larger industrial tool. There are certain applications for which this tool was designed. It will do the job better and more safely at the rate for which it was intended. Do not modify this tool and do not use this tool for a purpose for which it was not intended.
- **Dress properly.** Do not wear loose clothing or jewelry as they can be caught in moving parts. Protective, electrically non-conductive clothes and non-skid footwear are recommended when working. Wear restrictive hair covering to contain long hair.
- **Use eye protection.** Always wear ANSI approved impact safety glasses underneath a full face shield during use. Also, wear heavy duty work gloves.
- **Do not overreach.** Keep proper footing and balance at all times. Do not reach over or across running machines.
- **Maintain tools with care.** Keep tools sharp and clean for better and safer performance. Follow instructions for lubricating and changing accessories. The handles must be kept clean, dry, and free from oil and grease at all times.
- **Remove adjusting keys and wrenches.** Check that keys and adjusting wrenches are removed from the tool or machine work surface before starting work.
- **Stay alert.** Watch what you are doing, use common sense. Do not operate any tool when you are tired.
- **Check for damaged parts.** Before using any tool, any part that appears damaged should be carefully checked to determine that it will operate properly and perform its intended function. Any part that is damaged should be replaced.
- **Replacement parts and accessories.** When servicing, use only identical replacement parts. Use of any other parts will void the warranty. Only use accessories intended for use with this tool. Approved accessories are available from Cummins Industrial Tools.
- **Do not operate tools if under the influence of alcohol or drugs.** Read warning labels on prescriptions to determine if your judgment or reflexes are impaired while taking drugs. If there is any doubt, do not operate the tool.

**WARNING:** The warnings, cautions, and instructions discussed in this instruction manual can not cover all possible conditions and situations that may occur. It must be understood by the operator that common sense and caution are factors which can not be built into this product, but must be supplied by the operator.

# **SAFETY WARNINGS AND PRECAUTIONS**

Before attempting to operate this light, the following basic safety precautions should be taken to reduce the risk of fire, electric shock and personal injury. It is important to read the instruction manual and to understand its' applications, limitations and potential hazards associated with this light. This light is not designed for use by young children or infirm persons without supervision. It is important that you read, understand and follow these instructions very carefully. They are designed for the safety of yourself and others ensuring a long and trouble free service life from your light. This electric light complies with Australian and International standards and safety requirements. Repairs should only be carried out by qualified persons using original spare parts. Failure to do so may result in considerable danger to the operator.

## **Do Not Abuse the Power Cord**

Never yank or pull on the power cord to disconnect it from the mains supply socket. Never carry your light by its' power cord. Keep the power cord away from heat, oil, solvents and sharp edges. If the power cord becomes damaged have it replaced by an authorised service facility.

## **Extension Cords and Reels**

DO NOT use '2' core extension cords or reels on lights with an 'earth' path. Always use a '3' core extension cord or reel with the 'earth' core connected to 'earth'. When the light is to be used outdoors, use only extension cords intended for and marked 'outdoor' use. Always unwind any extension cords fully before plugging into mains power supply. Always replace any damaged extension cords before using. Protect your extension cord or reel from sharp objects, excessive heat, damp conditions or wet locations.

## **Specific Safety Instructions and Warnings**

Do not use the light in areas where there is a risk of explosion or fire from combustible materials. The globe, due to its heat, can ignite if placed within one metre of combustible materials, including furniture, flammable liquids, paint, varnish, petrol, flammable gases and dust of an explosive nature. As a precaution it is recommended that you consult an expert on a suitable fire extinguisher and its use. Ensure that the work area is kept clear of combustible materials.

Ensure that the light is disconnected from the mains supply when not in use, before installing / changing globes, making changes and when changing accessories.

DO NOT change globes or clean the light lens while light is on or plugged into the mains power supply.

Always use the correct type of globe.

DO NOT use the light as a heater.

DO NOT use the light as a dryer.

DO NOT touch any part of the light while on. Hot surfaces may burn.

Always keep light 36" from combustible materials or flammable gases.

# OPERATING INSTRUCTION

## Beware of Children and Pets

Children and pets should be kept out of the usage area. Children should not be allowed to touch or operate lights or touch extension cords. All lights should be kept out of reach of children, preferably stored or locked in a secure cabinet or room when not in use.

Always allow the light to cool, approximately one ( 1 ) hour after the light has been turned off, before changing globes or cleaning the light lens.

Never use the light if any part of it is damaged.

Always ensure that the light lens is kept clean.

Do not attempt to modify the light, power cord, power plug or the supplied accessories in any way.

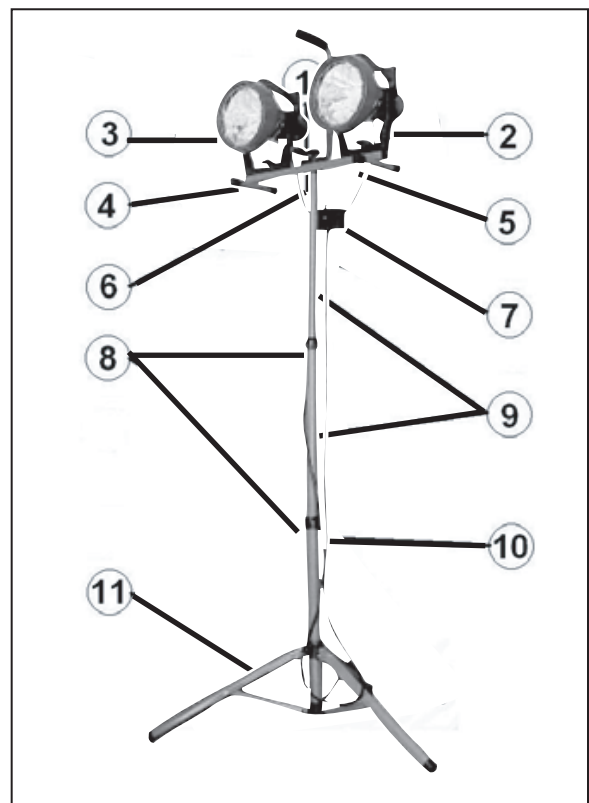
## Electrical Data

### IMPORTANT

This product is fitted with a sealed electrical connection plug that is compatible with the light, the mains supply for Australia and meets the requirements of international standards. This light must be connected to a supply voltage that is equal to that stated on the rating label. If the mains connection plug or power cord becomes damaged it must be replaced with a complete assembly that is identical to the original, and this must be replaced by an authorised service centre. Always follow the Australian requirements for connection to the mains supply. If in doubt always consult a qualified electrician.

## Components (Pic. 1)

1. Light assemblies support bar and junction box locking knob.
2. Light assembly (x 2)
3. Lens assembly and guard (x 2)
4. Light assembly locking knob (2 off)
5. Light assembly stand (x 2)
6. Light assembly stand locking knob (x 2)
7. Electrical junction box
8. Stand height adjusting locking collars (x 2)
9. Stand height adjusting tubular sections (x 2)
10. Tripod sliding collar and locking knob
11. Movable tripod legs



# OPERATING INSTRUCTION

## Operating Instructions

### Unpacking and Assembly

1. Carefully remove the components of the light and ensure you have all the parts as noted above.
2. Loosen the tripod locking knob and slide the tripod collar all the way down and re-tighten.
3. Loosen one or both of the stand height adjusting collars. Lift the tubular section (s) to a suitable assembly height and re-tighten the adjusting collars.
4. Remove the two (2) locking knobs from the light assemblies bar and attach the two (2) light assemblies. Replace / tighten the two (2) locking knobs.
5. Remove the locking knob at the top of the tripod stand.
6. Screw the locking knob through the junction box bracket, the support bar and screw / tighten into the top of the tripod stand.
7. You will need to fit the halogen globe. See "Installing / Replacing the Globe, page 7".

### Adjusting the Light

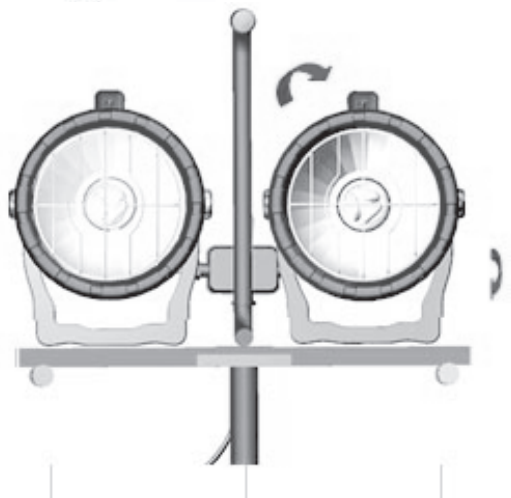
#### Warning!

Ensure the light is turned off and disconnected from the power supply before making any adjustments.

NOTE: Light becomes very hot during use. Allow the unit to cool down, approximately one (1) hour, before making adjustments. Both lights are adjusted the same way.

### Up / Down and Left / Right Adjustment

1. Loosen the appropriate locking knob by turning anti-clockwise, DO NOT REMOVE.
2. Move the light assembly forward / back or left / right to the required position.
3. Tighten the locking knob by turning clockwise.



# OPERATING INSTRUCTION

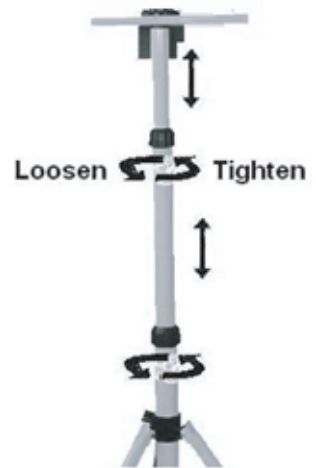
## Height

### Warning!

Ensure the light is turned off and disconnected from the power supply before making any adjustments.

NOTE: Light becomes very hot during use. Allow the unit to cool down, approximately one (1) hour, before making adjustments. This unit has two (2) adjustable lengths. Total adjustable length per section - 450mm.

1. Loosen the appropriate locking collar. DO NOT REMOVE.
2. Move the adjustable tubular section to the required position.
3. Tighten the locking collar.



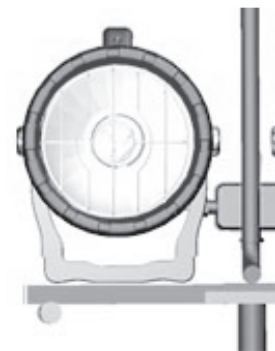
## Installing / Replacing the Globe

### Warning!

Ensure the light is turned off and disconnected from the power supply before installing / changing globes.

NOTE: The lights become very hot during use. Allow the unit to cool down, approximately one (1) hour, before changing either globe.

1. Ensure the unit is cool.
2. Loosen and remove the face plate screw located above the lens assembly.
3. Rotate the lens assembly until open.
4. Remove the old globe by pushing the left side gently until the right side is clear of the contact. Gently pull the free side away from the contact and remove from light assembly.
5. Never touch the NEW globe with your hands. Oils from your skin may shorten the life of the globe or even damage it. When installing a new globe always wear clean gloves or use a clean cloth.
6. Fit the globe onto the left contact and gently push until it allows you to position the right side of the globe against the right contact. Gently release your finger pressure allowing full contact between the globe and both contacts.
7. To close, rotate the lens assembly to the closed position.
8. Insert and tighten the face plate screw by turning clockwise.



## Technical Specification

ITEM	4201
Voltage	110 V ~ 60Hz
Globe (Twin)	25W energy saving bulbs ( x 2 )
Maximum Unit Wattage	50W Maximum