



# Assembly & Instruction Manual

**ITEM 4161**

VENDOR: A | SERIES: 1



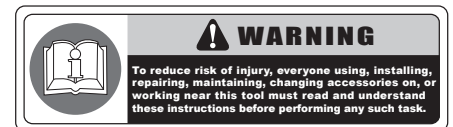
## 500W PORTABLE WORLIGHT WITH STAND AND CLAMP

THANK YOU FOR BUYING CUMMINS INDUSTRIAL TOOLS  
You can purchase additional items at  
[www.cumminstools.com](http://www.cumminstools.com)

**SAVE THIS MANUAL FOR FUTURE REFERENCE**



Customer Service Postal Address:  
1290 35 Road  
Minden, NE 68959  
Voice: 1-(308) 832-2070  
Fax: 1-(308) 832-2069



Your new 500W PORTABLE WORLIGHT WITH STAND AND CLAMP has been engineered and manufactured to Cummins Industrial Tools high standards for dependability, ease of operation, and operator safety. Pay close attention to the Rules for Safe Operation, Warnings, and Cautions. If you use your machine properly and only for what it is intended, you will enjoy years of safe, reliable service.

# TABLE OF CONTENTS

■ Introduction .....	1
■ General Safety Rules .....	2
■ Specific Safety Rules .....	3
■ Product Specifications .....	4
■ Unpacking .....	4
■ Assembly .....	4-5
■ Troubleshooting .....	5
■ Features .....	6
■ Operation .....	7

## INTRODUCTION

- THIS PRODUCT has many features for making the use of this product more pleasant and enjoyable. Safety, performance, and dependability have been given top priority in the design of this product making it easy to maintain and operate.

**⚠ WARNING:** Do not attempt to use this product until you thoroughly read and completely understand the operator's manual. Pay close attention to the safety rules, including Dangers, Warnings, and Cautions. If you use your product properly and only as intended, you will enjoy years of safe, reliable service.

- ⚠** Look for this symbol to point out important safety precautions. It means attention!!! Your safety is involved.



**⚠ WARNING:** The operation of any tool can result in foreign objects being thrown into your eyes, which can result in severe eye damage. Before beginning operation, always wear safety goggles or safety glasses with side shields and a full face shield when needed. We recommend Wide Vision Safety Mask for use over eyeglasses or standard safety glasses with side shields. Always wear eye protection which is marked to comply with ANSI Z87.1.

# GENERAL SAFETY RULES

**⚠ WARNING:** When using tool, basic safety precautions should always be followed to reduce the risk of personal injury and damage to equipment. Read all instructions before using the tool!

- **Work area conditions.** Cluttered areas invite injuries.
- **Additional work area conditions.** Do not use machines or power tools in damp or wet locations. Do not expose to rain. Keep work area well lighted.
- **Keep children away.** Children must never be allowed in the work area. Do not let them handle machines, tools or extension cords.
- **Store idle equipment.** When not in use, tools must be stored in a dry location to inhibit rust. Always lock up tools and keep out of reach of children.
- **Use the right tool for the job.** Do not attempt to force a small tool or attachment to do the work of a larger industrial tool. There are certain applications for which this tool was designed. It will do the job better and more safely at the rate for which it was intended. Do not modify this tool and do not use this tool for a purpose for which it was not intended.
- **Dress properly.** Do not wear loose clothing or jewelry as they can be caught in moving parts. Protective, electrically non-conductive clothes and non-skid footwear are recommended when working. Wear restrictive hair covering to contain long hair.
- **Use eye protection.** Always wear ANSI approved impact safety glasses underneath a full face shield during use. Also, wear heavy duty work gloves.
- **Do not overreach.** Keep proper footing and balance at all times. Do not reach over or across running machines.
- **Maintain tools with care.** Keep tools sharp and clean for better and safer performance. Follow instructions for lubricating and changing accessories. The handles must be kept clean, dry, and free from oil and grease at all times.
- **Remove adjusting keys and wrenches.** Check that keys and adjusting wrenches are removed from the tool or machine work surface before starting work.
- **Stay alert.** Watch what you are doing, use common sense. Do not operate any tool when you are tired.
- **Check for damaged parts.** Before using any tool, any part that appears damaged should be carefully checked to determine that it will operate properly and perform its intended function. Any part that is damaged should be replaced.
- **Replacement parts and accessories.** When servicing, use only identical replacement parts. Use of any other parts will void the warranty. Only use accessories intended for use with this tool. Approved accessories are available from Cummins Industrial Tools.
- **Do not operate tools if under the influence of alcohol or drugs.** Read warning labels on prescriptions to determine if your judgment or reflexes are impaired while taking drugs. If there is any doubt, do not operate the tool.

**⚠ WARNING:** The warnings, cautions, and instructions discussed in this instruction manual can not cover all possible conditions and situations that may occur. It must be understood by the operator that common sense and caution are factors which can not be built into this product, but must be supplied by the operator.

## SPECIFIC SAFETY RULES

- **When portable fixtures are used, outdoor basic safety precautions should always be followed to reduce the risk of electric shock and personal injury:**
  - 1- Use only outdoors extension cords that have three prongs grounding plugs and grounding receptacles that accept the appliances' plug.
  - 2- Ground fault circuit interrupter (GFCI) protection should be provided on the circuit(s) or outlet(s) to be used for the wet location portable fixture.
  - 3- Use only with extension cord for outdoor use. Such as an extension cord type SW, SW-A, SOW, SOW-A, STW, STW-A, STOW, STOW-A, SJW, SJW-A, SJOW, SJOW-A, SJTW, SJTW-A, SJTOW, SJTOW-A.
- Always wear safety glasses when working in close proximity of the flood light while energized, or when fixture is off and you are replacing the bulb.
- Keep fixture 18 inches away from combustible materials such as cloth, wood or paper. Lighted fixture gets hot. This fixture should not be inside dwelling.
- Do not look directly at lighted bulb. Do not remain in bright light if skin feels warm as you are too close to the fixture.
- Keep fixture away from children.
- When replacing the bulb in this fixture always turn off and give ample time for lamp to cool. Also unplug fixture from power source. Do not touch the bulb with your fingers as oil from your skin will damage the bulb and greatly shorten bulb life. Always close face of fixture securely before turning power back on.
- Never operate the fixture with missing glass safety shield or safety grill.
- This fixture is not intended for use nor safe to use in potentially dangerous locations such as places with explosive or flammable atmospheres.
- Do not handle this fixture when standing on wet or damp surfaces or in water. To reduce the risk of electrical shock, light should always be plugged into properly grounded 3-wire outlet. Do not remove the ground wire or grounded plug from the fixture. Always use a UL listed 3-wire grounded cord with the electrical capacity to properly handle this light and other tools you might be using. Never use light around swimming pool, hot tubs or saunas.
- Never use around heavy volatile fluids such as gasoline.
- Never use bulb larger than the fixture is rated for as fixture will get too hot and unsafe to use.

# PRODUCT SPECIFICATIONS

- Provides over 3,000 square feet of bright light for any activities.
- Ideal for construction, DIY projects, auto repairs, and recreation.
- Includes built-in waterproof junction box sturdy tubular steel stand and clamp.
- 110 volt/500 watt.
- Stand works on any flat surface and can be clamped on any edge conveniently.
- 90 Degree adjustable.
- Provides more precise coverage.
- Solid steel protective grill.

## UNPACKING

### INSTRUCTIONS

#### When unpacking the tool:

- Carefully remove the tool and accessories from the box.
- Make sure that all items listed in the packing list are included.
- Inspect the tool carefully to make sure no breakage or damage occurred during shipping.

**⚠ WARNING:** If any part are missing do not operate the tool until the missing parts are replaced. Failure to do so could result in possible serious personal injury.

## ASSEMBLY

- 1- Unscrew the stand knob from the stand and slide the top stand end into the bottom tube of the lighting fixture.



## ASSEMBLY

- 2- Align the screw hole on the stand end with the center opening on the tube.
- 3- Screw the stand knob in the hole to fasten the assembly. Avoid overtightening.



- 4- Attach the clamp to the lighting fixture by aligning the clamp fastener with the plastic piece screwed on the handle, then screw the clamp knob through both pieces.
- 5- To adjust the clamp angle and direction, loosen the screws and tighten them when desired position is reached.



## TROUBLESHOOTING

### **If light does not work check the following:**

- 1- Be sure you have power at source and fixture is property plugged into the power source.
- 2- Be sure that the bulb is property installed and both ends of electrical contacts are against the contacts on each end of the bulb.
- 3- Bulb may have been damaged in shipment. Check lamp with another bulb. If the bulb is damaged, replace bulb with a new bulb.

# FEATURES

**COMFORTABLE RUBBER GRIP HANDLE**

**HINGED LENS**

For easy bulb replacement.

**ADJUSTABLE CLAMP**

Attaches the light conveniently on any edge.

**BRIGHT HANLOGEN BULB**

Provides over 3000 square feet of bright light.

**TEMPERED GLASS**

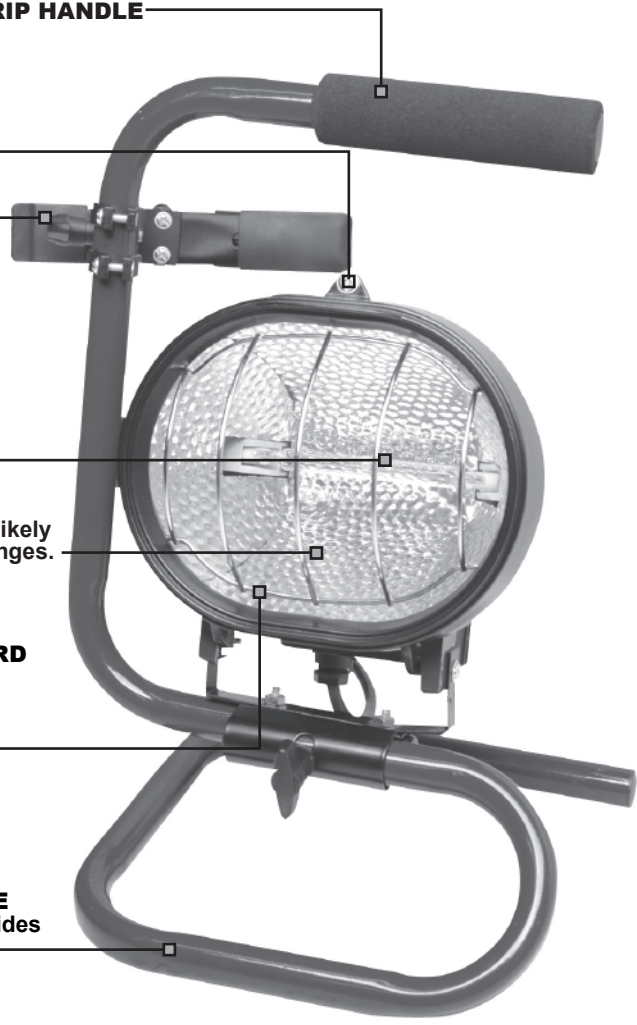
Tougher than plain glass. Less likely to shatter with temperature changes.

**SOLID STEEL SAFETY GUARD**

Protects against accidental burns or glass/bulb breakage. Powder coated for maximum weather resistance.

**STURDY SOLID STEEL BASE**

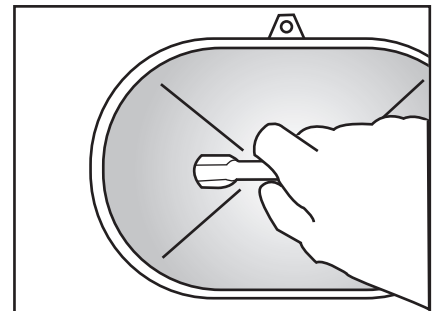
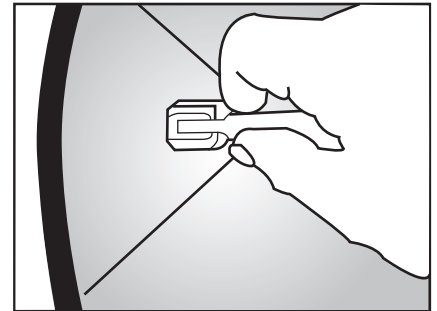
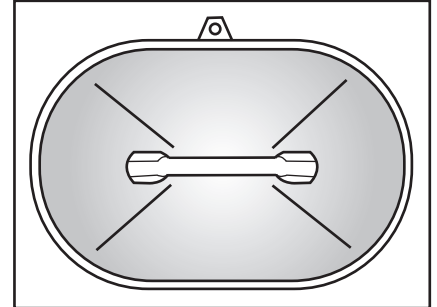
Works on any flat surface. Provides greater stability for fixture.



# OPERATION

## BULB INSTALLATION INSTRUCTIONS

- If the lamp has been in use at the time it burns out, give ample time for the fixture to cool before attempting to change the bulb.
- 1- For safety reasons always unplug the fixture from the outlet before attempting to change the bulb. The switch could accidentally be turned on during this function and cause a potential life threatening shock under the wrong conditions.
- 2- First loosen the face screw knob on the frame holding the safety glass and grill in place.
- 3- To remove the old bulb, push the bulb gently to the right until the left end slides easily out of the socket. When installing the new bulb, wear clean gloves or use a clean cloth to avoid getting oil from your hands on the bulb. Insert the right end of bulb against the right end contact of the socket and push very gently until the left end is free to come into contact with the left socket. Be sure both ends of bulb are securely seated against both socket contacts. If bulb comes in contact with your skin – clean with alcohol to remove any oil residue before use.
- 4- Now carefully replace the safety glass face of the fixture and tighten the face screw knob again firmly – but do not over tighten.
- 5- Now your fixture is again ready for use. Plug in your fixture – being careful not to point in anyone's eyes. For safety, always be sure you use a grounded outlet for your 3- wire grounded lamp cord. If the fixture does not work. Push the on/off switch. (It may be in the off position).
- 6- The bulb life will vary due to handling of the fixture and voltage surges. The bulb, therefore, cannot be warranted in any way. Using the fixture in a horizontal position will extend the bulb life.



**⚠ WARNING:** Never look at or point the fixture directly at anyone's eyes as the bright light may damage sensitive eyes.