



# TABLE OF CONTENTS

■ Introduction .....	1
■ General Safety Rules .....	2
■ Product Specifications .....	3
■ Unpacking .....	3
■ Exploded Diagram .....	4
■ Parts List .....	5

## INTRODUCTION

- THIS PRODUCT has many features for making the use of this product more pleasant and enjoyable. Safety, performance, and dependability have been given top priority in the design of this product making it easy to maintain and operate.

**⚠ WARNING:** Do not attempt to use this product until you thoroughly read and completely understand the operator's manual. Pay close attention to the safety rules, including Dangers, Warnings, and Cautions. If you use your product properly and only as intended, you will enjoy years of safe, reliable service.

- ⚠** Look for this symbol to point out important safety precautions. It means attention!!! Your safety is involved.



**⚠ WARNING:** The operation of any tool can result in foreign objects being thrown into your eyes, which can result in severe eye damage. Before beginning operation, always wear safety goggles or safety glasses with side shields and a full face shield when needed. We recommend Wide Vision Safety Mask for use over eyeglasses or standard safety glasses with side shields. Always wear eye protection which is marked to comply with ANSI Z87.1.

# GENERAL SAFETY RULES

**⚠ WARNING:** When using tool, basic safety precautions should always be followed to reduce the risk of personal injury and damage to equipment. Read all instructions before using the tool!

- **Work area conditions.** Cluttered areas invite injuries.
- **Additional work area conditions.** Do not use machines or power tools in damp or wet locations. Do not expose to rain. Keep work area well lighted.
- **Keep children away.** Children must never be allowed in the work area. Do not let them handle machines, tools or extension cords.
- **Store idle equipment.** When not in use, tools must be stored in a dry location to inhibit rust. Always lock up tools and keep out of reach of children.
- **Use the right tool for the job.** Do not attempt to force a small tool or attachment to do the work of a larger industrial tool. There are certain applications for which this tool was designed. It will do the job better and more safely at the rate for which it was intended. Do not modify this tool and do not use this tool for a purpose for which it was not intended.
- **Dress properly.** Do not wear loose clothing or jewelry as they can be caught in moving parts. Protective, electrically non-conductive clothes and non-skid footwear are recommended when working. Wear restrictive hair covering to contain long hair.
- **Use eye protection.** Always wear ANSI approved impact safety glasses underneath a full face shield during use. Also, wear heavy duty work gloves.
- **Do not overreach.** Keep proper footing and balance at all times. Do not reach over or across running machines.
- **Maintain tools with care.** Keep tools sharp and clean for better and safer performance. Follow instructions for lubricating and changing accessories. The handles must be kept clean, dry, and free from oil and grease at all times.
- **Remove adjusting keys and wrenches.** Check that keys and adjusting wrenches are removed from the tool or machine work surface before starting work.
- **Stay alert.** Watch what you are doing, use common sense. Do not operate any tool when you are tired.
- **Check for damaged parts.** Before using any tool, any part that appears damaged should be carefully checked to determine that it will operate properly and perform its intended function. Any part that is damaged should be replaced.
- **Replacement parts and accessories.** When servicing, use only identical replacement parts. Use of any other parts will void the warranty. Only use accessories intended for use with this tool. Approved accessories are available from Cummins Industrial Tools.
- **Do not operate tools if under the influence of alcohol or drugs.** Read warning labels on prescriptions to determine if your judgment or reflexes are impaired while taking drugs. If there is any doubt, do not operate the tool.

**⚠ WARNING:** The warnings, cautions, and instructions discussed in this instruction manual can not cover all possible conditions and situations that may occur. It must be understood by the operator that common sense and caution are factors which can not be built into this product, but must be supplied by the operator.

# PRODUCT SPECIFICATIONS

Tough 19 gauge steel service cart for large load.
Two 15" x 29" trays are 3" deep to give extra carrying capacity.
Handy 25" sliding drawer for extra storage.
Rolls easily with 4" casters: 2 rigid and 2 swivel.
Two handy foot brakes.
Easy to assemble.
Dimension: 15" W x 30" L x 31" H

## UNPACKING

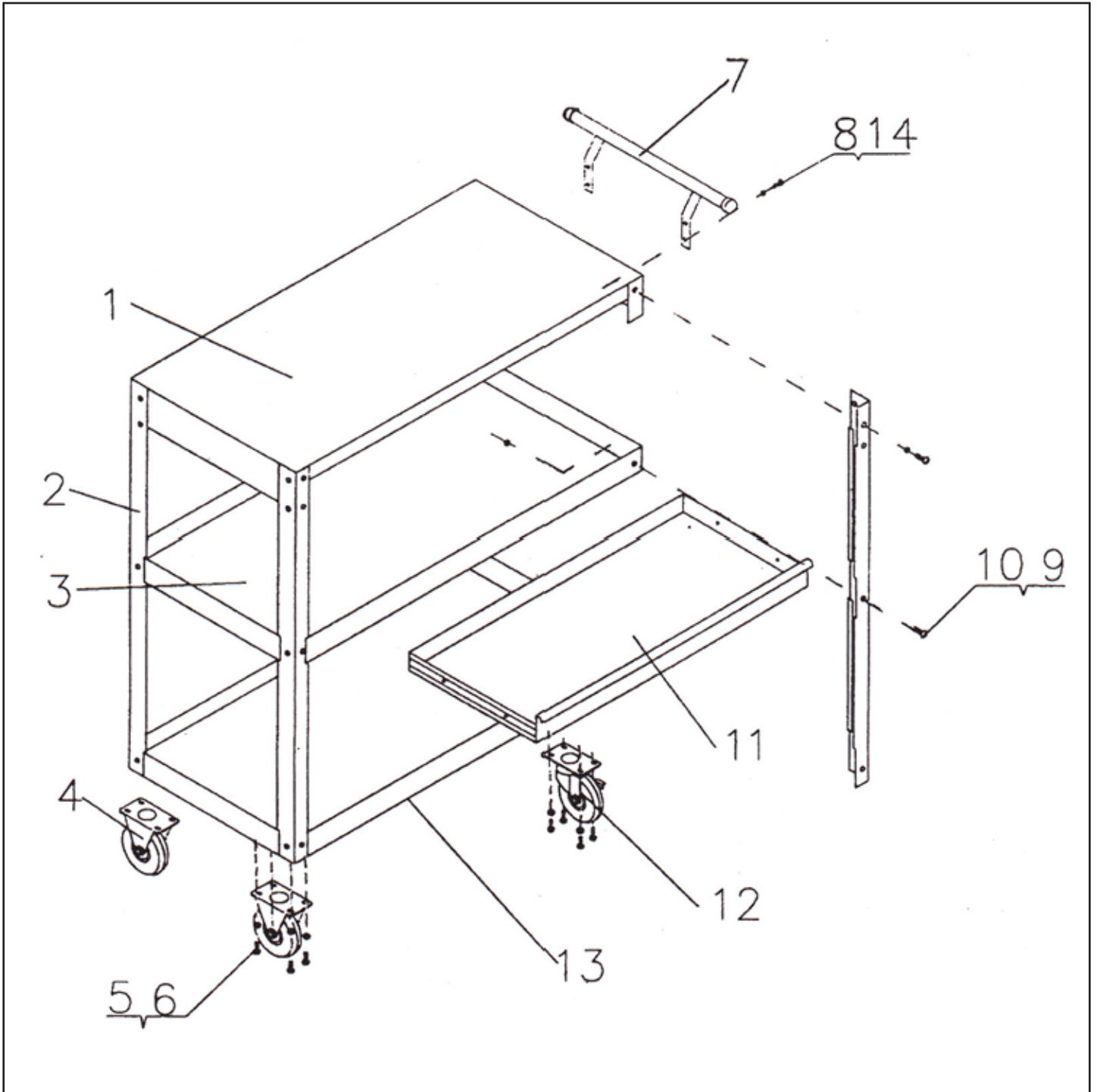
### INSTRUCTIONS

#### When unpacking the tool:

- Carefully remove the tool and accessories from the box.
- Make sure that all items listed in the packing list are included.
- Inspect the tool carefully to make sure no breakage or damage occurred during shipping.
- Do not discard the packing material until you have carefully inspected and satisfactorily operated the tool.

**⚠ WARNING:** If any part are missing do not operate the tool until the missing parts are replaced. Failure to do so could result in possible serious personal injury.

# EXPLODED DIAGRAM



# PARTS LIST

NO	DESCRIPTION	QTY
1	ROOF	1
2	PILLAR	4
3	TRAY	1
4	RIGID CASTER	2
5	SCREW (M8×12)	16
6	Ø8 WASHER	16
7	HANDLE	1
8	SCREW (M5×16)	12
9	M6 NUT	16
10	SCREW (M6×12)	16
11	DRAWER	1
12	SWIVEL CASTER	2
13	BOTTOM	1
14	Ø5 WASHER	12