



## Assembly & Instruction Manual

# CARPORT ENCLOSURE



### THANK YOU FOR BUYING CUMMINS INDUSTRIAL TOOLS

Your new Carport Enclosure has been engineered and manufactured to Cummins tools high standards for dependability, ease of operation, and operator safety.

**⚠ CAUTION:** Carefully read through this entire operator's manual before using your new machine

Pay close attention to the Rules for Safe Operation, Warnings, and Cautions. If you use your machine properly and only for what it is intended, you will enjoy years of safe, reliable service.

**SAVE THIS MANUAL FOR FUTURE REFERENCE**

Made to Exact Standards in China for 

Customer Service Postal Address:

1290 35 Road

Minden, NE 68959

voice: 1-(308) 832-2070

fax: 1-(308) 832-2069

*You can purchase additional items at [www.cumminstools.com](http://www.cumminstools.com)*

## Safety Warnings and Precautions

**WARNING:** When using tool, basic safety precautions should always be followed to reduce the risk of personal injury and damage to equipment.

**Read all instructions before using this tool!**

1. **Keep work area clean.** Cluttered areas invite injuries.
2. **Observe work area conditions.** Do not use machines or power tools in damp or wet locations. Don't expose to rain. Keep work area well lighted.
3. **Keep children away.** Children must never be allowed in the work area. Do not let them handle machines, tools, or extension cords.
4. **Store idle equipment.** When not in use, tools must be stored in a dry location to inhibit rust. Always lock up tools and keep out of reach of children.
5. **Use the right tool for the job.** Do not attempt to force a small tool or attachment to do the work of a larger industrial tool. There are certain applications for which this tool was designed. It will do the job better and more safely at the rate for which it was intended. Do not modify this tool and do not use this tool for a purpose for which it was not intended.
6. **Dress properly.** Do not wear loose clothing or jewelry as they can be caught in moving parts. Protective, electrically non-conductive clothes and non-skid footwear are recommended when working. Wear restrictive hair covering to contain long hair.
7. **Use eye protection.** Always wear ANSI approved impact safety glasses underneath a full face shield during use. Also, wear heavy duty work gloves.
8. **Do not overreach.** Keep proper footing and balance at all times. Do not reach over or across running machines.
9. **Maintain tools with care.** Keep tools sharp and clean for better and safer performance. Follow instructions for lubricating and changing accessories. The handles must be kept clean, dry, and free from oil and grease at all times.
10. **Remove adjusting keys and wrenches.** Check that keys and adjusting wrenches are removed from the tool or machine work surface before starting work.
11. **Stay alert.** Watch what you are doing, use common sense. Do not operate any tool when you are tired.
12. **Check for damaged parts.** Before using any tool, any part that appears damaged should be carefully checked to determine that it will operate properly and perform its intended function. Check for cracks or chips in the taps and dies. Any part that is damaged should be replaced.
13. **Replacement parts and accessories.** When servicing, use only identical replacement parts. Use of any other parts will void the warranty. Only use accessories intended for use with this tool. Approved accessories are available from Cummins Industrial Tools.
14. **Do not operate tool if under the influence of alcohol or drugs.** Read warning labels on prescriptions to determine if your judgment or reflexes are impaired while taking drugs. If there is any doubt, do not operate the tool.
15. **The flutes on these tools are sharp and may cut you.** Handle with care.
16. **Do not use any high-speed means, such as a lathe or drill press, to cut threads with these Taps and Dies.** High-speed use may overheat the tool, causing loss of heat-treatment and premature failure. Use of high-speed means will void the warranty.
17. **Taps and Dies are heat-treated, and not designed to be sharpened.** After considerable use, corrosion, or high-speed use these tools may lose their cutting edge. They will then be less effective and may break. Replacement Taps and Dies are available from Cummins Industrial Tools.

**Warning:** The warnings, cautions, and instructions discussed in this instruction manual cannot cover all possible conditions and situations that may occur. It must be understood by the operator that common sense and caution are factors which cannot be built into this product, but must be supplied by the operator.

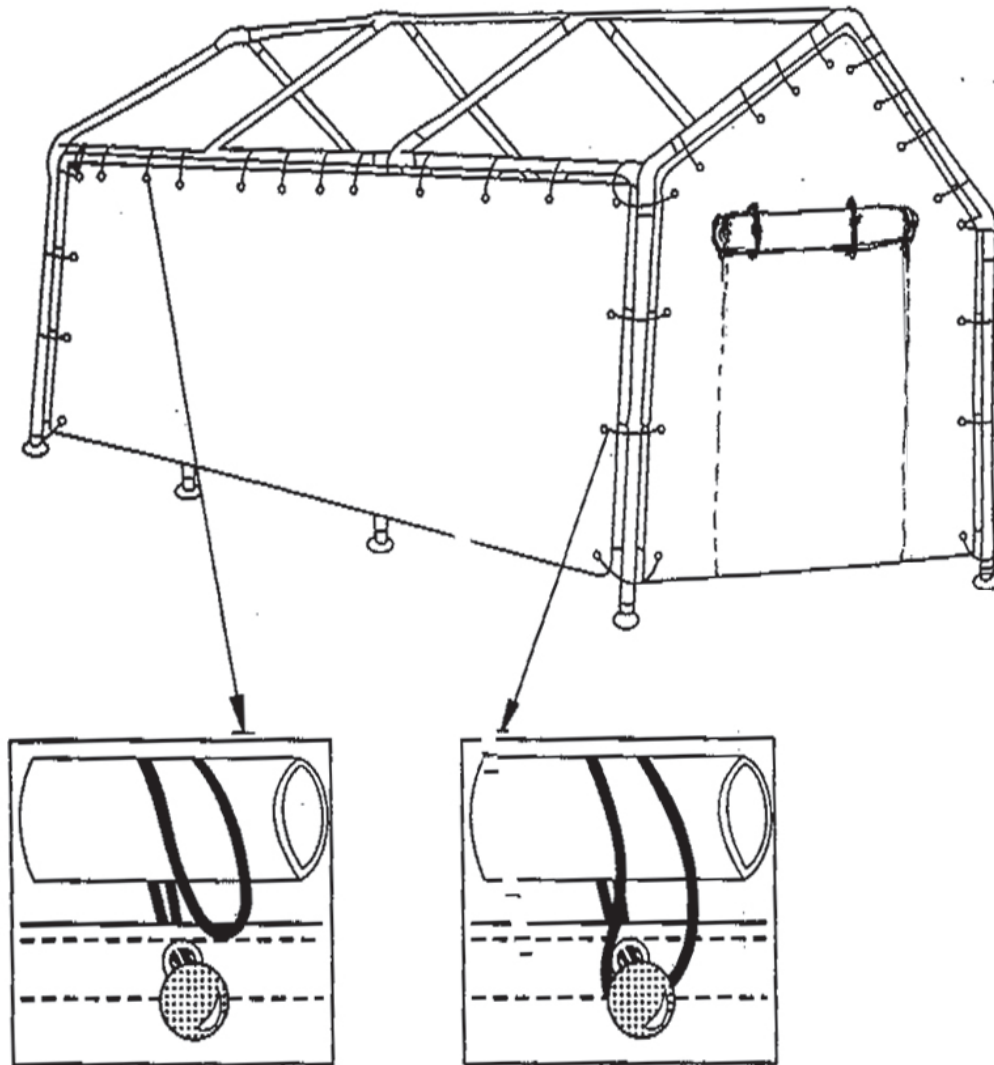


Figure #1

Figure #2

Part #	Description	QTY
1	Side Panel	2
2	End Panel	1
3	Door Panel	1
4	Bungee Cord	56

**Assemble Instructions:**

Attach side panel (No.1), end panel (No.2) and door panel (panel with zippers) (No.3) sliding bungee cord (No.4) through metal eyelets per figure #1 and figure #2.