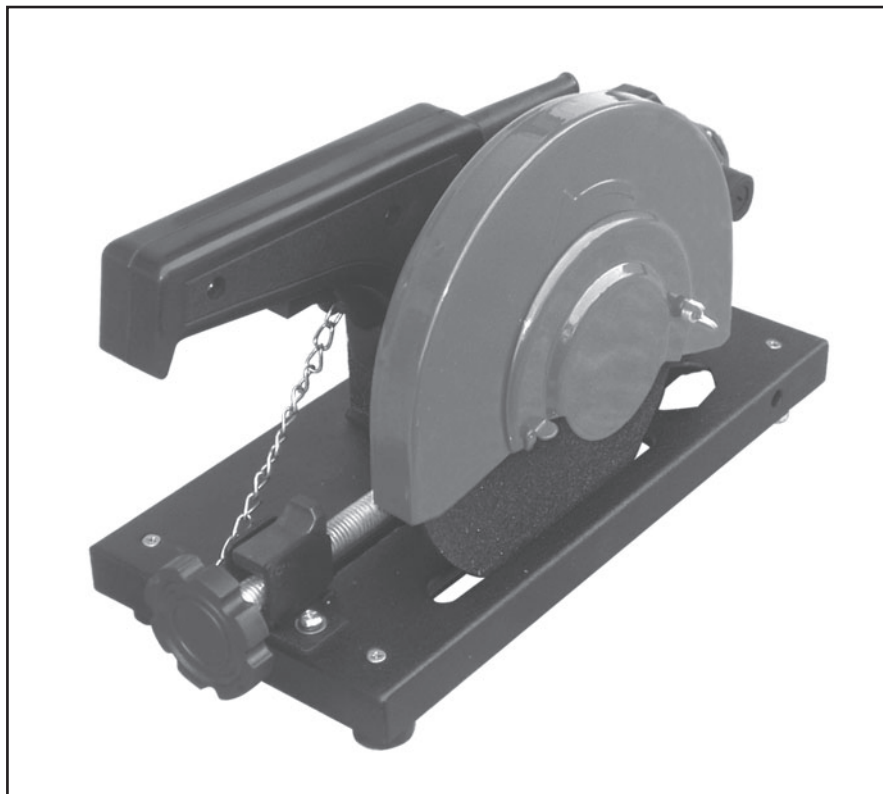




Assembly & Instruction Manual

ITEM 3325

VENDOR: A SERIES: 1



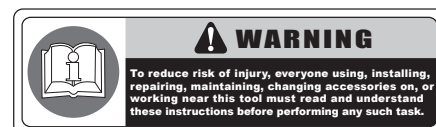
7" Metal Cutting Chop Saw

THANK YOU FOR BUYING CUMMINS INDUSTRIAL TOOLS
You can purchase additional items at
www.cumminstools.com

SAVE THIS MANUAL FOR FUTURE REFERENCE



Customer Service Postal Address:
1290 35 Road
Minden, NE 68959
Voice: 1-(308) 832-2070
Fax: 1-(308) 832-2069



Your new 7" METAL CUTTING CHOP SAW has been engineered and manufactured to Cummins Industrial Tools high standards for dependability, ease of operation, and operator safety. Pay close attention to the Rules for Safe Operation, Warnings, and Cautions. If you use your machine properly and only for what it is intended, you will enjoy years of safe, reliable service.

SAFETY WARNINGS AND PRECAUTIONS

WARNING: When using tool, basic safety precautions should always be followed to reduce the risk of personal injury and damage to equipment. Read all instructions before using the tool!

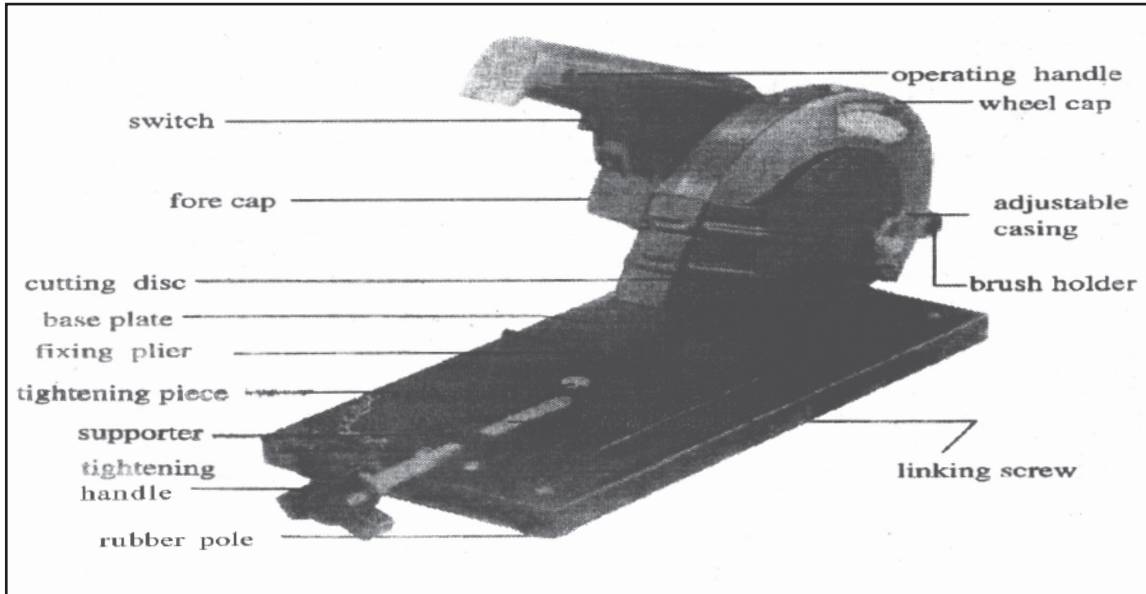
- **Work area conditions.** Cluttered areas invite injuries.
- **Additional work area conditions.** Do not use machines or power tools in damp or wet locations. Do not expose to rain. Keep work area well lighted.
- **Keep children away.** Children must never be allowed in the work area. Do not let them handle machines, tools or extension cords.
- **Store idle equipment.** When not in use, tools must be stored in a dry location to inhibit rust. Always lock up tools and keep out of reach of children.
- **Use the right tool for the job.** Do not attempt to force a small tool or attachment to do the work of a larger industrial tool. There are certain applications for which this tool was designed. It will do the job better and more safely at the rate for which it was intended. Do not modify this tool and do not use this tool for a purpose for which it was not intended.
- **Dress properly.** Do not wear loose clothing or jewelry as they can be caught in moving parts. Protective, electrically non-conductive clothes and non-skid footwear are recommended when working. Wear restrictive hair covering to contain long hair.
- **Use eye protection.** Always wear ANSI approved impact safety glasses underneath a full face shield during use. Also, wear heavy duty work gloves.
- **Do not overreach.** Keep proper footing and balance at all times. Do not reach over or across running machines.
- **Maintain tools with care.** Keep tools sharp and clean for better and safer performance. Follow instructions for lubricating and changing accessories. The handles must be kept clean, dry, and free from oil and grease at all times.
- **Remove adjusting keys and wrenches.** Check that keys and adjusting wrenches are removed from the tool or machine work surface before starting work.
- **Stay alert.** Watch what you are doing, use common sense. Do not operate any tool when you are tired.
- **Check for damaged parts.** Before using any tool, any part that appears damaged should be carefully checked to determine that it will operate properly and perform its intended function. Any part that is damaged should be replaced.
- **Replacement parts and accessories.** When servicing, use only identical replacement parts. Use of any other parts will void the warranty. Only use accessories intended for use with this tool. Approved accessories are available from Cummins Industrial Tools.
- **Do not operate tools if under the influence of alcohol or drugs.** Read warning labels on prescriptions to determine if your judgment or reflexes are impaired while taking drugs. If there is any doubt, do not operate the tool.

WARNING: The warnings, cautions, and instructions discussed in this instruction manual can not cover all possible conditions and situations that may occur. It must be understood by the operator that common sense and caution are factors which can not be built into this product, but must be supplied by the operator.

PRODUCT SPECIFICATIONS

CAUTION

Do not use this machine in fire, thunder and wet environment. Prevent it from working in a corrosive and harmless surrounding. And the strengthening resin cutting disc with safety line speed-80m/s must be used.



Technical data

Specifications for the Cut - off Disc Outer Dia(mm) x Inner Dia (mm) x Thickness (mm)	Power Source		Power (W)	No. Load Rotating Speed (r/min)	Adjusting Angular (x°)	Net Weight (kg)	Size Length (mm) x Width (mm) x Height (mm)	Cable (m)
	Rated (V)	Frequency (Hz)						
Φ160 (Φ160) x Φ20 x 2	220V - 230V 110V	50 / 60	800	8000	45	4	350 x 160 x 190	1.5
Φ180 (Φ180) x Φ22 x 2								

Cutting Capability

90°	45°	90°	45°	90°	45°	90°	45°
Φ40	Φ40	35	35	20	20	40	40

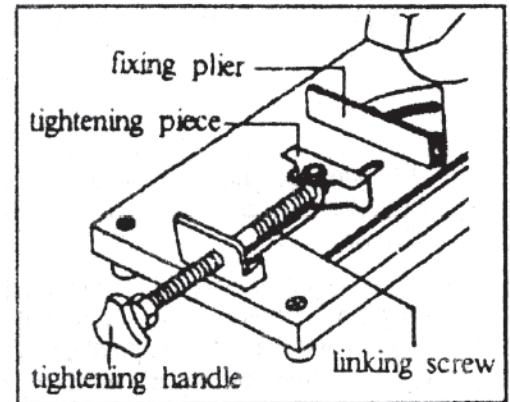
OPERATION INSTRUCTIONS

How to use the machine

Caution: when operating as follows: the plug of the machine should be kept away from the socket.

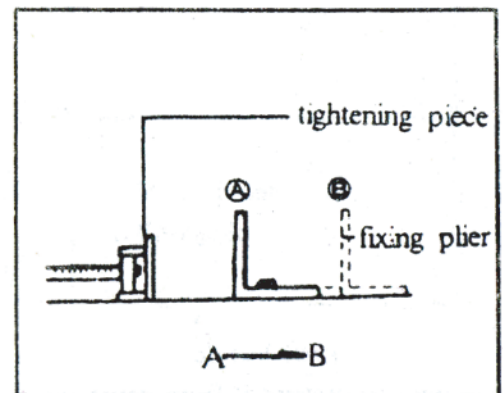
1. When the machine cutting smaller material the fixing plier should be in its general position (which is fixed when leaving factory) and turn the tightening handle, push the tightening piece through the linking screw to press the material tightly (Drawing 2)

Caution: the material must be pressed very tightly.



drawing 2

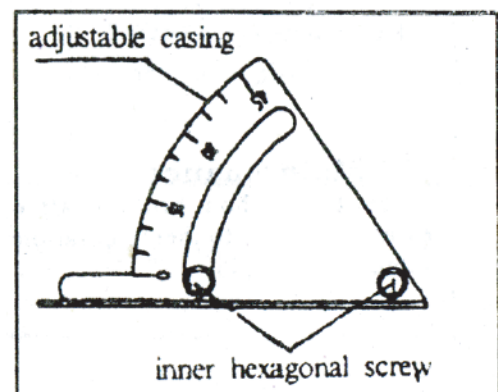
2. When cutting larger material the fixing plier may be moved afterwards, you can use the inner hexagonal spanner to dismount or mount the fixing plier (Drawing 3)



drawing 3

3. Adjusting angular of the fixing plier can be indicated by the angular adjuster for adjusting the angle (Drawing 4)

Caution: the hexagonal screw must be tightened after the adjusting plier adjusted.

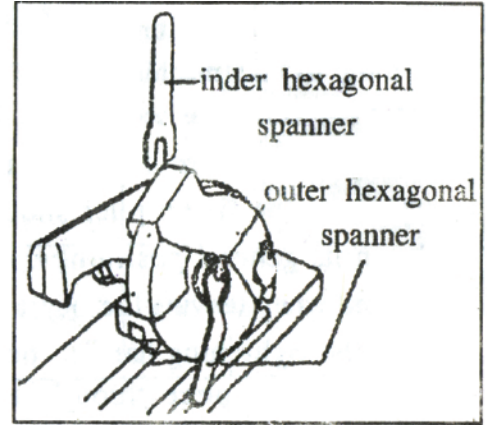


drawing 4

OPERATION INSTRUCTIONS

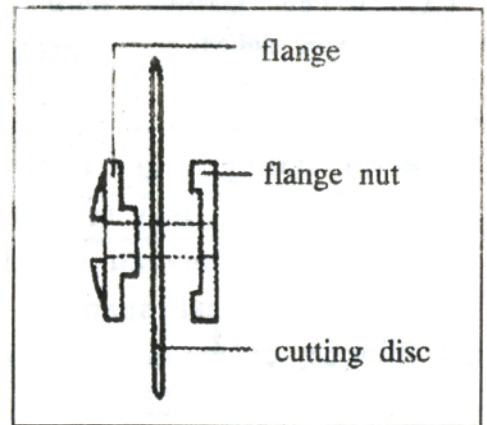
4. Dismount and mount the cutting disc with the special spanner offered (drawing 5,6)

When the cutting disc is mounted, correct the direction of the notch of the flange nut and the out-put spindle, make it in its position and mount the cutting disc into the flange nut and the tighten the cutting disc with the flange nut.



drawing 5

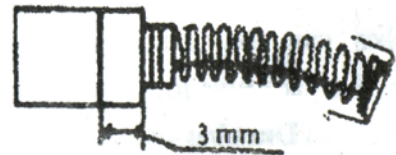
Caution: the cutting disc must be pressed tightly but don't do this too hard to prevent it from damaged.



drawing 6

Maintenance

Change the carbon brushes after they are worn out to their limitation limited (drawing7)



TROUBLESHOOTING

Problem	Reason	Solution
The machine doesn't work.	Poor contact between the plug and socket.	Check the contact.
	Cable damaged inside.	Remove the cable and change it.
	Breakdown inside the machine.	Send it to the professional shop for repair.
The machine vibrates heavily.	The cutting disc is not mounted properly.	Mount it once again.
	Poor quality of cutting disc.	Change it.
Cutting capacity is too low.	The cutting disc is not mounted tightly.	Tighten it.
	Cutting disc is worn out badly.	Change it.
	Breakdown inside the machine.	Send it to the professional shop for repair.
The machine is too hot.	Cutting too hard.	Control the cutting force.