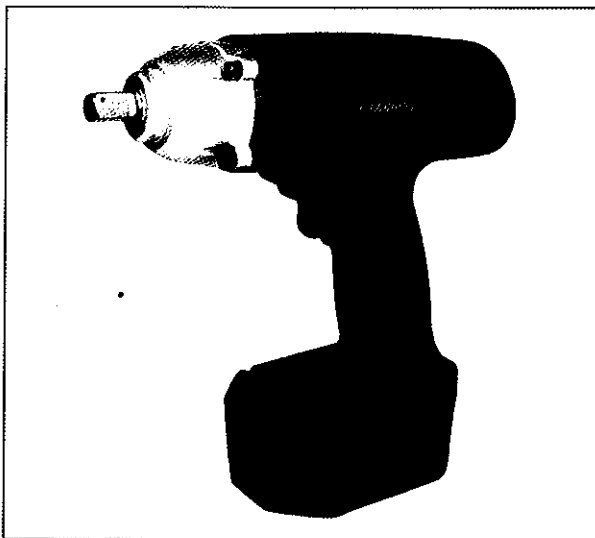




Assembly & Instruction Manual **ITEM 3080**



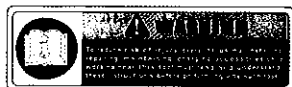
24V Impact Wrench

THANK YOU FOR BUYING CUMMINS INDUSTRIAL TOOLS
You can purchase additional items at
www.cumminstools.com

SAVE THIS MANUAL FOR FUTURE REFERENCE



Customer Service Postal Address:
1290 35 Road
Minden, NE 68959
Voice: 1-(308) 832-2070
Fax: 1-(308) 832-2069



Your new 24V IMPACT WRENCH has been engineered and manufactured to Cummins Industrial Tools high standards for dependability, ease of operation, and operator safety. Pay close attention to the Rules for Safe Operation, Warnings, and Cautions. If you use your machine properly and only for what it is intended, you will enjoy years of safe, reliable service.

SAFETY WARNINGS AND PRECAUTIONS

WARNING: When using tool, basic safety precautions should always be followed to reduce the risk of personal injury and damage to equipment. Read all instructions before using the tool!

- **Work area conditions.** Cluttered areas invite injuries.
- **Additional work area conditions.** Do not use machines or power tools in damp or wet locations. Do not expose to rain. Keep work area well lighted.
- **Keep children away.** Children must never be allowed in the work area. Do not let them handle machines, tools or extension cords.
- **Store idle equipment.** When not in use, tools must be stored in a dry location to inhibit rust. Always lock up tools and keep out of reach of children.
- **Use the right tool for the job.** Do not attempt to force a small tool or attachment to do the work of a larger industrial tool. There are certain applications for which this tool was designed. It will do the job better and more safely at the rate for which it was intended. Do not modify this tool and do not use this tool for a purpose for which it was not intended.
- **Dress properly.** Do not wear loose clothing or jewelry as they can be caught in moving parts. Protective, electrically non-conductive clothes and non-skid footwear are recommended when working. Wear restrictive hair covering to contain long hair.
- **Use eye protection.** Always wear ANSI approved impact safety glasses underneath a full face shield during use. Also, wear heavy duty work gloves.
- **Do not overreach.** Keep proper footing and balance at all times. Do not reach over or across running machines.
- **Maintain tools with care.** Keep tools sharp and clean for better and safer performance. Follow instructions for lubricating and changing accessories. The handles must be kept clean, dry, and free from oil and grease at all times.
- **Remove adjusting keys and wrenches.** Check that keys and adjusting wrenches are removed from the tool or machine work surface before starting work.
- **Stay alert.** Watch what you are doing, use common sense. Do not operate any tool when you are tired.
- **Check for damaged parts.** Before using any tool, any part that appears damaged should be carefully checked to determine that it will operate properly and perform its intended function. Any part that is damaged should be replaced.
- **Replacement parts and accessories.** When servicing, use only identical replacement parts. Use of any other parts will void the warranty. Only use accessories intended for use with this tool. Approved accessories are available from Cummins Industrial Tools.
- **Do not operate tools if under the influence of alcohol or drugs.** Read warning labels on prescriptions to determine if your judgment or reflexes are impaired while taking drugs. If there is any doubt, do not operate the tool.

WARNING: The warnings, cautions, and instructions discussed in this instruction manual can not cover all possible conditions and situations that may occur. It must be understood by the operator that common sense and caution are factors which can not be built into this product, but must be supplied by the operator.

SPECIFIC SAFETY RULES

PRECAUTIONS FOR BATTERY AND CHARGER



1. **CHARGE BATTERIES FULLY** before initial use.
2. **CHARGE AT ROOM TEMPERATURE.** Temperature must be higher than 0°C (32°F) and lower than 50°C (122°F).
3. **DO NOT CHARGE IF CHARGER'S CORD OR PLUG IS DAMAGED.** Charging with damaged cord may result in fire or electrical shock. If charger is damaged in any way, have it repaired by a qualified serviceman.
4. **DO NOT SHORT ACROSS TERMINALS OF BATTERY.** Take care that metal such as paper clips, nails, the sides of a metal toolbox do not cause a short in your battery. Extremely high temperatures and fire can result.
5. **DO NOT INCINERATE BATTERY**

SPECIFICATIONS

Voltage: 24V

Power Pack Capacity: 1.3 AH (Ni-Cd)

Output Torque: 240FT.LBS

No Load Speed: 0 - 2000 RPM

Kit Includes: 24V Cordless Impact Wrench, 1 24V Battery Packs, 1 Quick Charger, 3 Sockets and Blow-Molded Case

OPERATING PROCEDURES



WARNING: For your own safety do not attempt to use your electrical tool until the battery is fully charged and you have read all the instructions.



REMEMBER: This cordless tool is always in an operating condition and does not need to be connected to a power supply.



CAUTION:

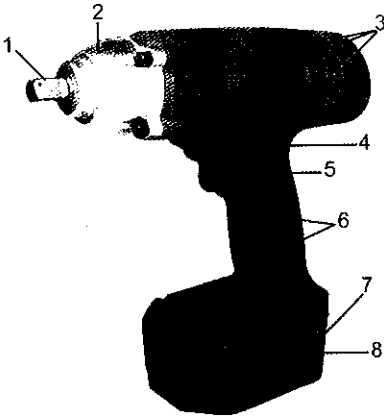
- Do Not expose either the electrical tool or charger to rain or water.
- Do not overcharge the battery as this could damage the batteries cells.
- Do not force the tool. If the tool is laboring, it is possible that the battery power is low. If so, stop working and recharge the battery pack.
- To prolong the life of the tool, do not continually work more than 20 minutes at a time.

OPERATING PROCEDURES

GETTING TO KNOW YOUR CORDLESS TOOL/CHARGER

24V CORDLESS IMPACT WRENCH:

1. 1/2" Square Socket Drive
2. Metal Gear Housing
3. Ventilation Slots
4. Forward / Reverse / Neutral Lock Switch
5. Variable Speed Trigger Switch
6. Padded Hand Grip
7. Battery Release Button
8. Battery Pack



GENERAL

- This tool is intended for use with 1/2" drive impact sockets for loosening and tightening nuts and bolts. Its impacts help to turn stiff fasteners.
- To prolong the life of the tool, do not use it continuously for more than 20 minutes at a time.
- If the tool shows signs of diminishing power, stop and recharge the battery. Using it to do heavy work when the battery is weak drains the battery very quickly and can damage the battery.
- To use the tool, first start the fastener on the thread by hand, being sure it is not cross-threaded.
- Choose a 1/2" drive socket of the correct size and mount it on the drive shaft.
- Place the socket over the fastener.
- Use the variable speed only for starting.
- Allow the tool to come up to full speed.
- When you hear the sound of the impacts, stop after three or four. The fastener is tight.

VARIABLE SPEED

You can vary the spindle rotation speed by modulating finger pressure on the trigger.

OPERATING PROCEDURES

ROTATION DIRECTION

Your tool is equipped with a 3-position Forward / Reverse / Neutral Lock Switch through the housing above the trigger. When knob is pushed toward the right, rotation is forward (clockwise). When pushed in from the right to the left side, rotation is reversed (counter-clockwise), and when in center position, it is locked in neutral and the trigger is blocked. Do not push the rotation direction knob until the drive stops turning.

BATTERY PACK

1. Battery must be charged before using tool for the first time. Batteries will reach full performance after about five charge/discharge cycles.
2. Always have 3-position Forward / Reverse / Neutral Lock Switch in the center position when removing or inserting battery to avoid unintentional starting.
3. Remove the battery from the tool. Press the Battery Release Button and remove battery.
4. Place battery on the charger.
5. To charge, plug the charger's AC input plug into a 110/120V household current.
6. When battery is charging, red light is on. When battery is finished charging, a green light comes on.
7. **IMPORTANT:** Ensure that charging takes place in a safe, secure location away from liquids.
8. Normal charging time is approximately 1 hour.
9. To insert the battery into the tool, simply slide the pack in until Battery Release Button lock spring clicks.
10. When charging more than one pack in succession, allow 15 minutes between charges.
11. The battery discharges slowly over time, even when not used, and may require recharging before you use the tool.
12. After many charge/discharge cycles, your batteries will lose their ability to hold a charge. They should then be replaced. Dispose of batteries at an appropriate waste disposal facility. They contain cadmium, so do not throw batteries away in common trash receptacles.

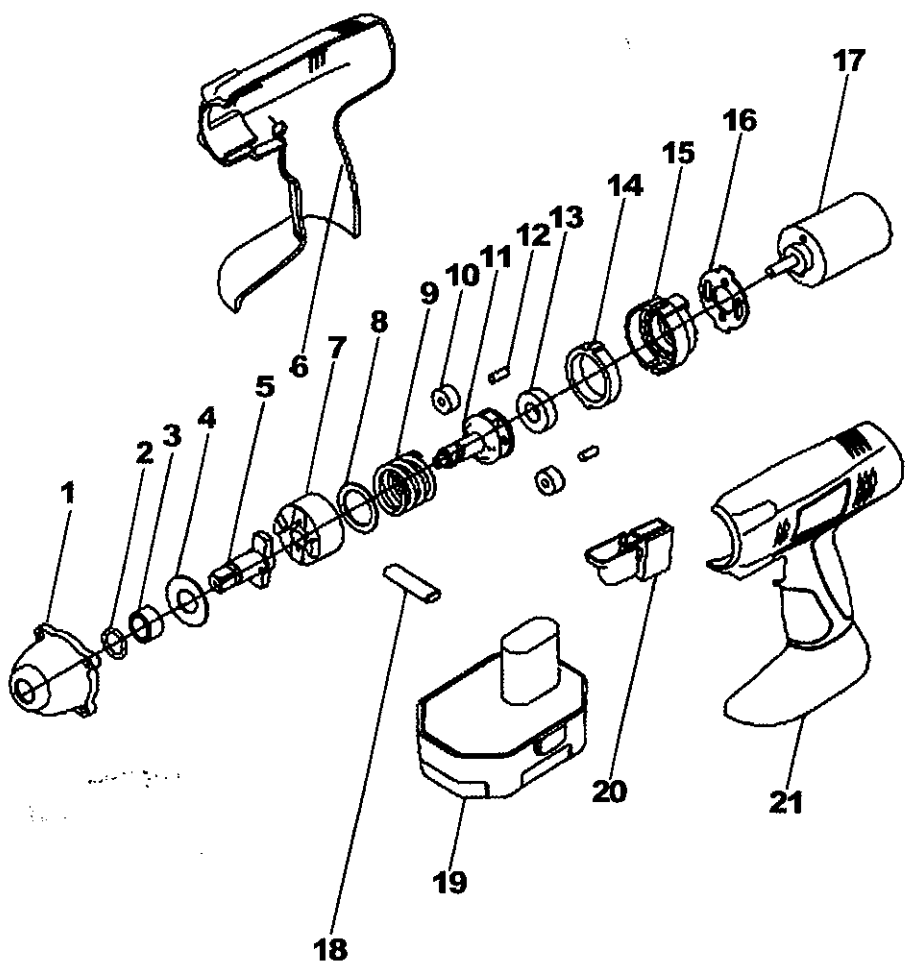
MAINTENANCE

- Keep the tool clean using a soft damp (not wet) cloth. Do not use solvents on the plastic parts.
- Lubrication is not necessary. After long use, have an authorized service centre maintain and lubricate the tool.

PARTS LIST

| PART No. | DESCRIPTION | PART No. | DESCRIPTION |
|----------|--------------------|----------|-------------------------------------|
| 01 | Gear Cover | 12 | Column Pin |
| 02 | Hermetic Ring | 13 | Shaft Bushing |
| 03 | Drive Shaft Sheath | 14 | Inside Gear |
| 04 | Shaft Washer | 15 | Gear Box |
| 05 | Square Drive Shaft | 16 | Connection Clip |
| 06 | Housing (right) | 17 | D.C. Motor |
| 07 | Clutch | 18 | Forward/Reverse/Neutral Lock Button |
| 08 | Washer | 19 | Battery Pack |
| 09 | Spring | 20 | Trigger Switch |
| 10 | Planetary Gear | 21 | Housing (left) |
| 11 | Core Shaft | | |

SCHEMATIC DRAWING



WARNING: Repairs should be made by an authorized repair centre. Opening this tool could invalidate your warranty.